

SPECIFICATIONS

TW030TU03 30 mm textile automotive tweeter, dual-neo, alu housing, 4 ohm

30 mm voice coil design for high sensitivity and high power handling.
 Black anodized machined alu housing.
 Low resonance.
 Graphene reinforced textile dome.
 Copper-clad magnet center pole.



FEATURES

- Machined alu housing
- Outer neodymium ring magnet
- Vented through to a damped rear chamber
- Optimized light-weight dome
- Vented voice coil former
- Copper-clad aluminium voice coil wire
- Built-in cavities under dome/edge
- Flexible voice coil lead wires
- 200 mm wires attached

NOMINAL SPECIFICATIONS

Notes	Parameter	Value	Unit
	Nominal size	30	[mm]
	Nominal impedance	4	[ohm]
	Recommended frequency range	2 - 30	[kHz]
1, 4	Sensitivity, 2.83V/1m (average SPL in range 5 - 20 kHz)	92.5	[dB]
2	Power handling, short term, IEC 268-5, 2.5 kHz@12dB/oct.	1,000	[W]
2	Power handling, long term, IEC 268-5, 2.5 kHz@12dB/oct.	80	[W]
2	Power handling, continuous, IEC 268-5, 2.5 kHz@12dB/oct.	30	[W]
	Effective radiating area, S_d	11.5	[cm ²]
3, 4, 6	Resonance frequency (free air, no baffle), F_s	725	[Hz]
	Moving mass, incl. air (free air, no baffle), M_{ms}	0.43	[g]
3	Force factor, B_{xl}	2.0	[N/A]
3, 4, 6	Suspension compliance, C_{ms}	0.11	[mm/N]
3, 4, 6	Equivalent air volume, V_{as}	21	[ml]
3, 4, 6	Mechanical resistance, R_{ms}	0.72	[Ns/m]
3, 4, 6	Mechanical Q, Q_{ms}	2.7	[-]
3, 4, 6	Electrical Q, Q_{es}	1.67	[-]
3, 4, 6	Total Q, Q_{ts}	1.03	[-]
4	Voice coil resistance, R_{DC}	3.4	[ohm]
5	Voice coil inductance, L_e (measured at 1 kHz)		[μH]
	Voice coil inside diameter	30	[mm]
	Voice coil winding height	1.8	[mm]
	Air gap height	3.0	[mm]
	Theoretical linear motor stroke, X_{max}	±0.6	[mm]
	Magnet weight	8.5 + 14.5	[g]
	Total unit net weight excl. packaging	130	[g]
3, 4, 5	K_{rm}		[mohm]
3, 4, 5	E_{rm}		[-]
3, 4, 5	K_{xm}		[mH]
3, 4, 5	E_{xm}		[-]

Note 1 Measured in infinite baffle.

Note 2 Tested in free air (no cabinet, no baffle).

Note 3 Measured using a semi-constant current source, nominal level 2 mA.

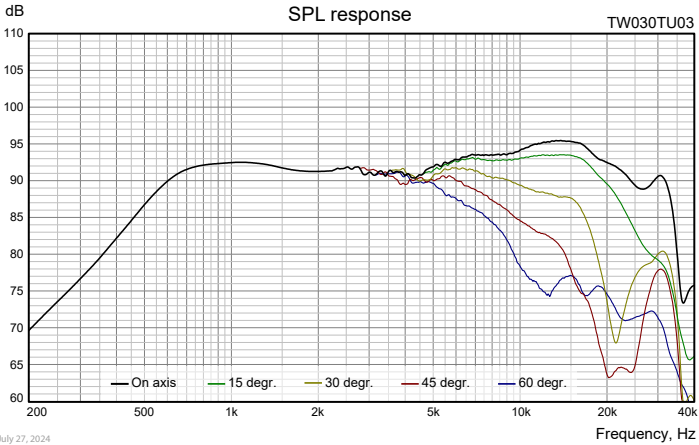
Note 4 Measured at 25 deg. C

Note 5 It is generally a rough simplification to assume that loudspeaker transducer voice coils exhibit the characteristics of an inductor. Instead it is a far more accurate approach to use the more advanced model often referred to as the "Wright empirical model", also used in LEAP-4 as the TSL model (www.linearx.com), involving parameters K_{rm} , E_{rm} , K_{xm} , and E_{xm} . This more accurate transducer model is described in a technical paper [here at our web site](#).

Note 6 Measured before burn in. The unit is not burned in before shipping.

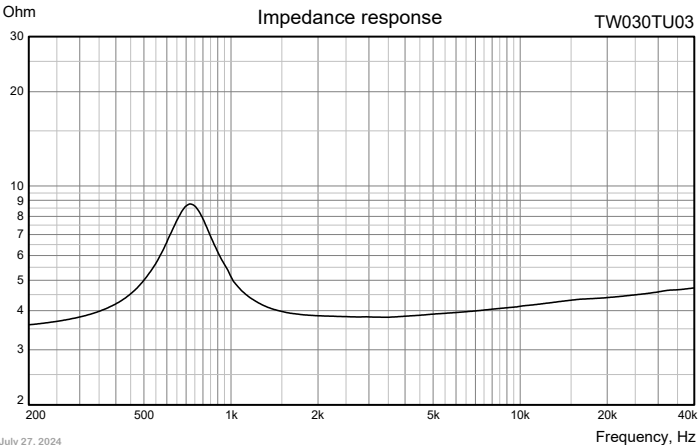
SPECIFICATIONS

TW030TU03 30 mm textile automotive tweeter, dual-neo, alu housing, 4 ohm



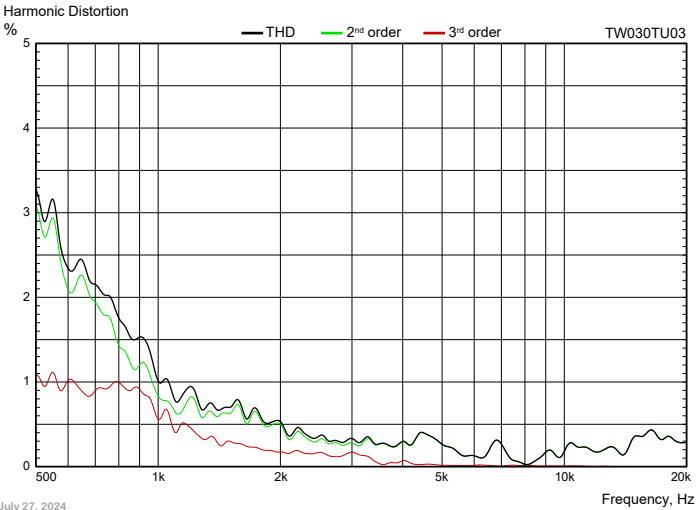
Download TW030TU03 on-axis SPL response as .txt file

Measuring conditions, SPL
 Driver mounting: Flush in infinite baffle, back side open (no cabinet)
 Microphone distance: 1.0 m
 Input signal: 2.83 VRMS LogChirp, 64k, Hanning/2
 Smoothing: 1/6 oct.



Download TW030TU03 Impedance response as .txt file

Measuring conditions, impedance
 Driver mounting: Free air, no baffle, back side open (no cabinet)
 Input signal: Stepped sine wave, semi-current-drive, nominal current 2 mA
 Smoothing: None



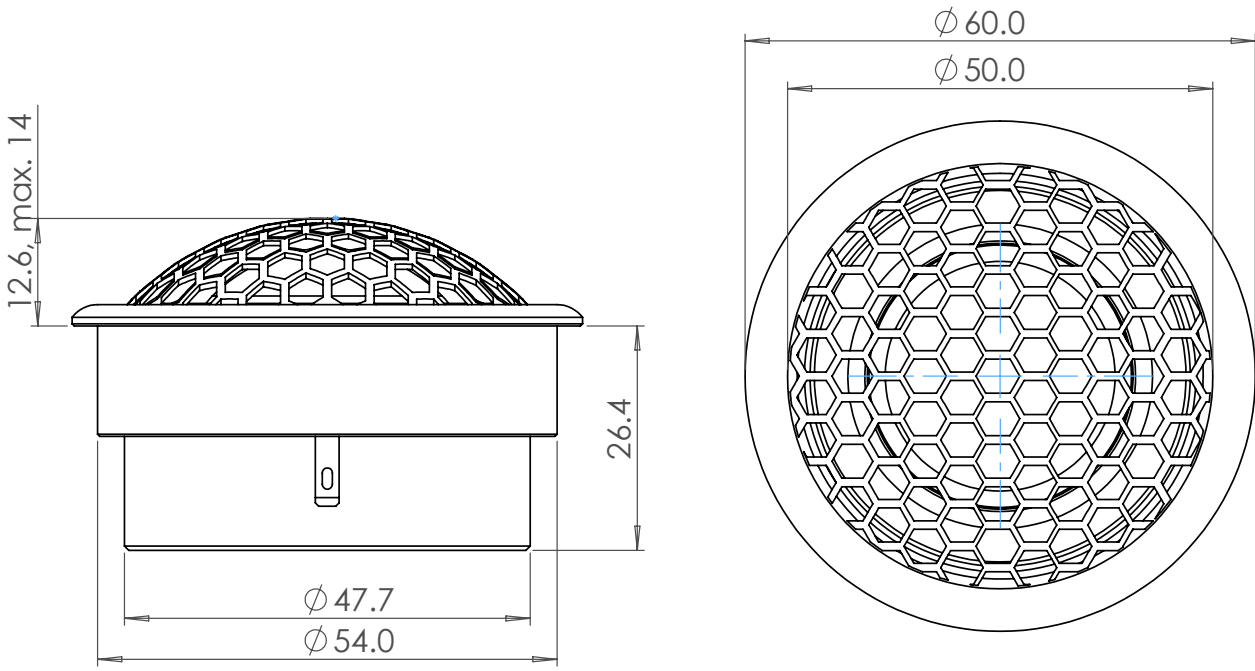
Measuring conditions, Harmonic Distortion
 Driver mounting: Infinite baffle
 Microphone distance: 0.5 m
 Input signal: Stepped sine wave, 2.0 VRMS
 Smoothing: 1/12 oct.

SPECIFICATIONS

TW030TU03 30 mm textile automotive tweeter, dual-neo, alu housing, 4 ohm

OUTLINE DRAWING (nominal dimensions)

Dimension in mm



PACKAGING AND ORDERING INFORMATION

Part no. TW030TU03-01:	One piece, including grille and wires, retail packaging (packaged one pair per box)
------------------------	---

Latest update: Oct. 12, 2024