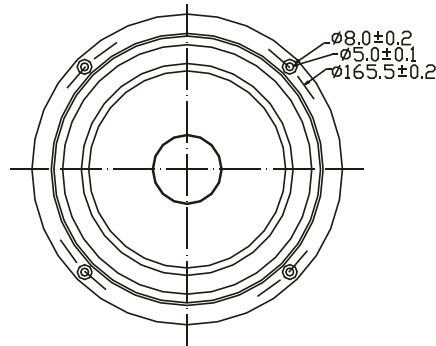
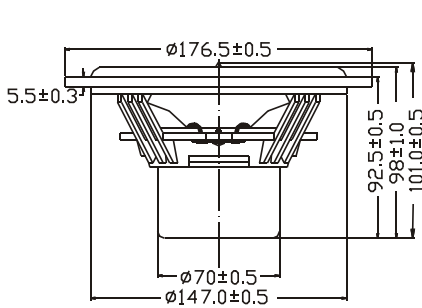


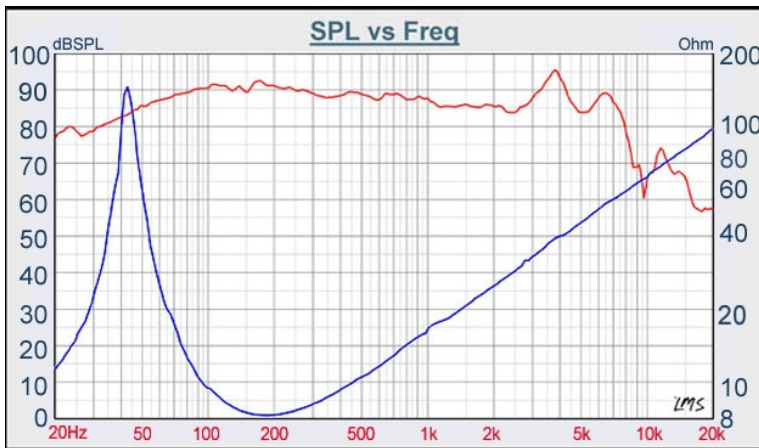
PA SERIES

W6-1108SA



- SANDWICH CONE WITH RUBBER SURROUND
- VENTED ALUM DIE CAST BASKET
- DIE CAST BASKET
- NEODYMIUM DESIGN
- SUITABLE FOR SUBWOOFER APPLICATION

6.5" SANDWICH SUBWOOFER



DIAPHRAGM MTL	Sandwich
SURROUND MTL	Rubber
NOMINAL IMPEDANCE	8
DCR IMPEDANCE	6.5
SENSITIVITY 1W/1m	90 dB
FREQUENCY RESPONSE	42-6 K Hz
FREE AIRRESONANCE	42 Hz
VOICE COIL DIAMETER	38 mm
AIR GAP HEIGHT	18 mm
RATED POWER INPUT	60 W
MAXIMUM POWER INPUT	120 W
FORCE FACTOR, BL	7.79TM
MAGNET WEIGHT (oz)	Neodymium
MOVING MASS	12.8 g
FERROFLUID ENHANCED	No
SUSPENSION COMPLIANCE	996.7706 MN ⁻¹
EFFECTIVE PISTON AREA	0.014 M ²
Levc	1.6669 mH
Zo	124.2124 ohm
X-max	5.5 mm
Vas	27.74 Litr
Qts	0.36
Qms	6.86
Qes	0.38

TB SPEAKERS

P.O. BOX 10-53 NEI HU, TAIPEI, TAIWAN
 VOICE 886.2.26570282 FAX 886.2.26580166