



# PENTAXIAL

## 6PE1TA / 69PE1TA

Selenium Pentaxial loudspeakers has been especially designed to reproduce frequencies within the full range audio spectrum band. The five ways 6x9" features a 6x9" woofer, a 2½" mid range speaker, a 2" dynamic tweeter, a ¼" piezo electric tweeter and ½" piezo electric tweeter. The 6" features a low profile 6" woofer, a ½" dynamic tweeter and two ½" piezo electric tweeters. Both products feature:

- A polypropylene cone with mineral filled and silverfinish.
- A steel basket with new sturdier design which gives the product with great mechanical resistance and high structural sturdiness.
- A high compliance surround, made in TPE (termoplastic rubber), excellent for the absorption of stationary waves.
- A cotton fiber spider developed for this specific purpose, providing this assembly with great linearity in excursion and high absorption capability of stationary waves in low frequencies.
- The voice coil has a TIL former and uses copper wire coated with special resin to stand high temperatures.
- A magnetic assembly with a bumped backplate which allows long cone excursions.
- A front frame (where the mid range speaker and tweeter are attached) develop in engineering plastic integrated to the woofer edge which has an advanced design to decrease vibration common to conventional 5-way systems.



6PE1TA



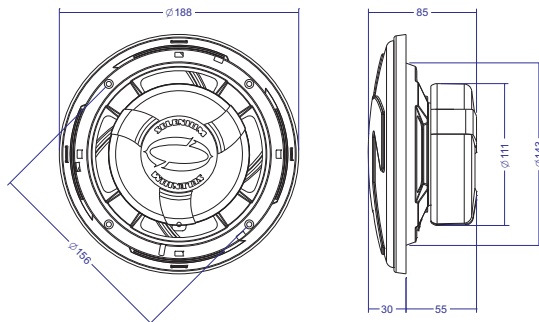
69PE1TA

TECHNICAL SPECIFICATIONS	6PE1TA	69PE1TA
Nominal diameter. . . . . mm (in)	152 (6)	152x228 (6x9)
Nominal impedance. . . . . Ω	4	4
Power handling		
MAX <sup>1</sup> . . . . . W	160	160
RMS <sup>2</sup> . . . . . W	80	80
Sensitivity (2,83V@1m). . . . . dB SPL	90	90
Frequency response @ -10 dB. . . . . Hz	60 to 20,000	40 to 20,000
Resonance frequency (±15%). . . . . Hz	80	50
Volume displaced by speaker . . . . . l (ft <sup>3</sup> )	0,3 (0.01)	1.3 (0.05)
Woofer magnet weight . . . . . g (oz)	440 (15)	440 (15)
Woofer voice coil diameter . . . . . mm (in)	31,7 (1.3)	31.7 (1.3)
Net weight. . . . . g (lb)	1,400 (3.08)	1,720 (3.79)

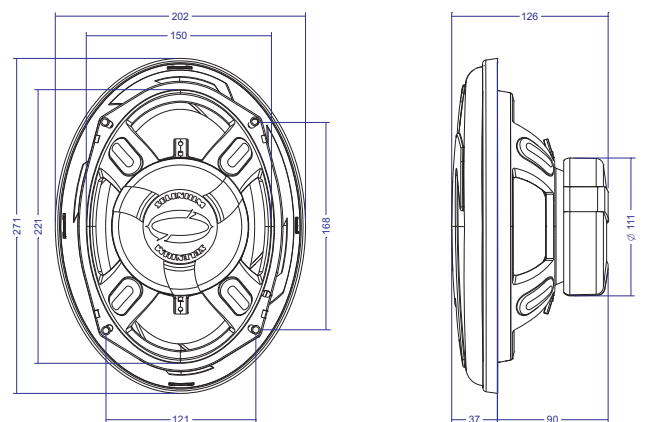
<sup>1</sup> Power handling specifications refer to normal speech and/or music program material, reproduced by an amplifier producing no more than 5% distortion. Power is calculated as true RMS voltage squared divided by the nominal impedance of the loudspeaker.

<sup>2</sup> Brazilian Standard NBR 10.303, with pink noise during 2 hours uninterrupted.

### 6PE1TA



### 69PE1TA



Dimensions in mm