



SELENIUM

quatro

12PW5A / 15PW5A

The PW5 *quatro* series offers excellent quality of sound with strong bass and high SPL, answering of several requests from street sound enthusiasts.

These woofers are available on two versions: 12" and 15". This speaker series gets together a set of optimized that will ensure an excellent performance. Deep and clean bass will be obtained from small enclosures.

Its high sensitivity allows that the system installed in the car to deliver high SPL, from affordable amplifiers with RMS power rated from 300W to 350W (4 ohms).

The PW5 *quatro* series present the follow features:

- Frame with sturdier design and epoxy paint finishing, which provides the speaker great mechanical resistance and high structural stiffness.
- Cone made with long fiber pulp with a special coating, ensuring excellent finishing and low distortion.
- Surround ring impregnated with rubber that provides excellent fatigue and humidity resistance.



12PW5A

15PW5A

TECHNICAL SPECIFICATIONS	12PW5A	15PW5A
Nominal diameter	305 (12)	381 (15)
Nominal impedance	4	4
Power handling		
MAX ¹	600	700
RMS ²	300	350
Sensitivity (1W@1m)	95	98
Frequency response @ -10 dB	35 to 4,000	40 to 4,000
Volume displaced by woofer	2.0 (0.071)	3.6 (0.127)
Magnet weight	2,035 (71.78)	2,440 (86.07)
Voice coil diameter	60 (2.4)	60 (2.4)
Net weight	5,850 (12.90)	7,295 (16.08)

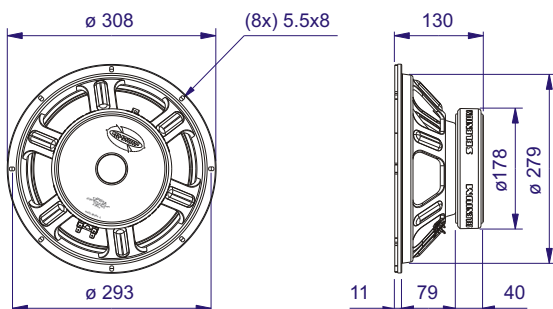
¹ Power handling specifications refer to normal speech and/or music program material, reproduced by an amplifier producing no more than 5% distortion. Power is calculated as true RMS voltage squared divided by the nominal impedance of the loudspeaker.

² Brazilian Standard NBR 10.303 with pink noise during 2 hours uninterrupted.

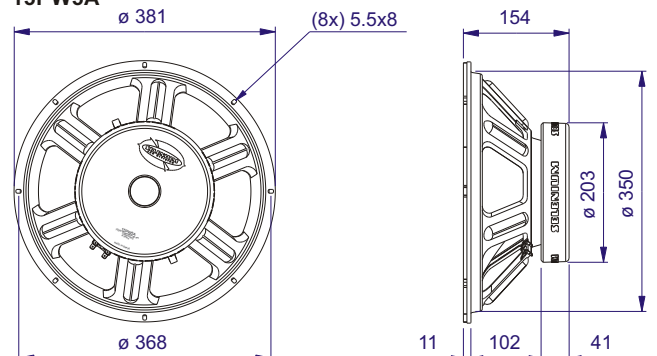
THIELE-SMALL PARAMETERS	12PW5A	15PW5A
Fs	44	41
Re	3.2	3.3
Qms	16.46	16.59
Qes	0.37	0.38
Qts	0.36	0.36
Vas	72 (2.54)	167 (5.90)
Ref Eff	2.14	3.47
Sd	0.0510 (79.5)	0.0860 (133.3)
Vd	229.5 (14.00)	387.0 (23.62)
Xmax	4.50 (0.18)	4.50 (0.18)
βl	12.4	14.9

A variation of ± 15% is allowed.

12PW5A



15PW5A



Dimensions in mm.



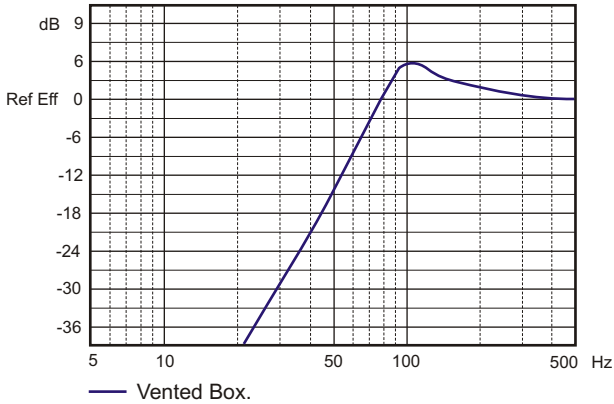
SELENIUM

quattro

12PW5A / 15PW5A

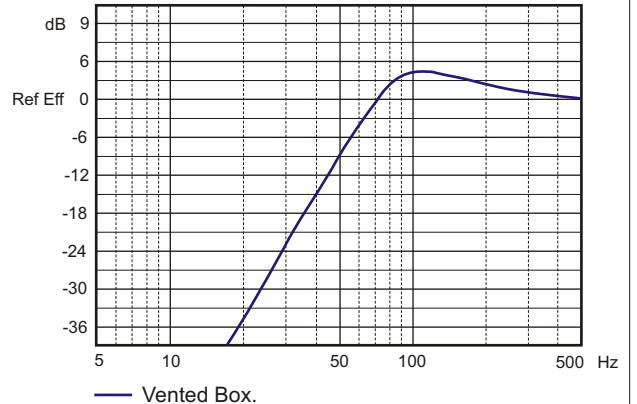
12PW5A

SOFTWARE SIMULATED RESPONSE CURVE



15PW5A

SOFTWARE SIMULATED RESPONSE CURVE



SUGGESTED ENCLOSURES

MODELS	CLOSED BOX	VENTED BOX		
	Internal Volume (liters)	Internal Volume (liters)	Duct (s)	
			Qty	Diam. x Length (cm)
12PW5A	---	45	2	10 x 4
15PW5A	---	70	2	10 x 4

The suggested enclosure volumes are related to only one speaker, including woofer and duct(s) displaced volume.

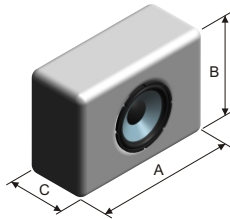
For enclosure with more than one speaker, it is necessary to multiply the suggested volume and duct(s) by the quantity of speakers and build them with separated chambers (internal division).

ENCLOSURES INTERNAL VOLUME CALCULATION INSTRUCTIONS

RECTANGULAR BOX

$$\text{Internal Volume} = \frac{A \times B \times C}{1000}$$

A, B and C are internal dimensions (in cm). The internal volume result is given in liters.



TRAPEZOID RECTANGULAR BOX

$$\text{Internal Volume} = \frac{A \times B \times \left(\frac{C+D}{2}\right)}{1000}$$

A, B, C and D are internal dimensions (in cm). The internal volume result is given in liters.

