

Precision cast, machined and surface treated magnesium cone acts as a piston through the audible frequency band without any sign of midrange resonances.

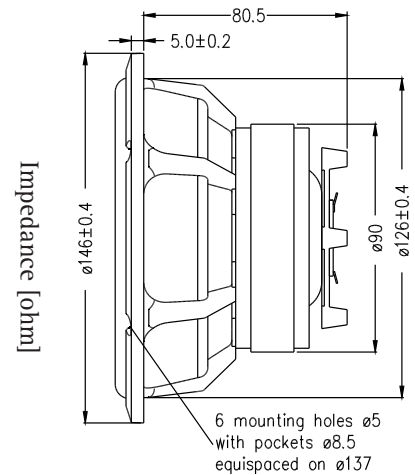
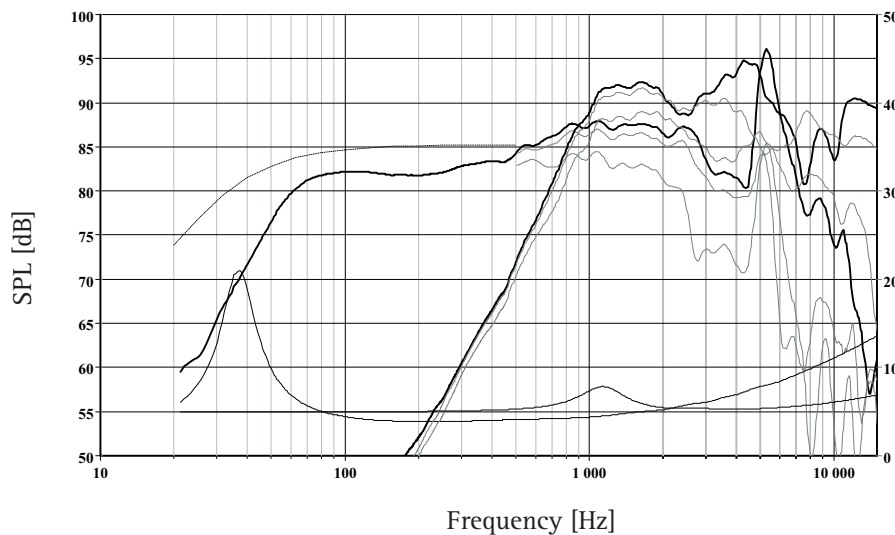
A unique radial reinforced rubber surround reduces resonances and prevents surround break up at large excursions.

Heavy copper rings mounted above and below the T-shaped pole piece reduce non linear and modulation distortion and increase overload margin.

The coaxially arranged precoated fabric dome high frequency unit has a low resonance frequency, and integrates with the cone driver to form a point source.

The extremely stiff and stable injection moulded metal basket keeps the critical components in perfect alignment.

Large windows in the basket both above and below the spider reduce sound reflection, air flow noise and cavity resonances to a minimum.



The frequency responses above show measured free field sound pressure in 0, 30, and 60 degrees angle using a 10L closed box. Input 2.83 VRMS, microphone distance 0.5m, normalized to SPL 1m. The dotted line is a calculated response in infinite baffle based on the parameters given for this specific driver. The impedance is measured in free air without baffle using a 2V sine signal.

	Woofers	Tweeter		Woofers	Tweeter
Nominal Impedance	4 Ohms	6 Ohms	Voice Coil Resistance	3.2 Ohms	4.8 Ohms
Recommended Frequency Range	30-3000 Hz	2000-25000	Voice Coil Inductance	0.27 mH	0.05 mH
Short Term Power Handling *	250 W	220 W	Force Factor	4.4 N/A	2.3 N/A
Long Term Power Handling *	80 W	90 W	Free Air Resonance	37 Hz	1200 Hz
Characteristic Sensitivity (2.83V, 1m)	85 dB	90 dB	Moving Mass	14.6 g	0.3 g
Voice Coil Diameter	39 mm	26 mm	Air Load Mass In IEC Baffle	0.56 g	-
Voice Coil Height	20 mm	1.5 mm	Suspension Compliance	1.3 mm/N	-
Air Gap Height	6 mm	2.0 mm	Suspension Mechanical Resistance	1.09 Ns/m	-
Linear Coil Travel (p-p)	14 mm	0.5 mm	Effective Piston Area	94 cm ²	7 cm ²
Maximum Coil Travel (p-p)	22 mm	-	VAS	15 Litres	-
Magnetic Gap Flux Density	0.87 T	1.2 T	QMS	3.24	-
Magnet Weight	0.42 kg	-	QES	0.58	-
Total Weight	1.55 kg	-	QTS	0.49	-

Aut 2008-1

EC16-001