

27TDFC is a High Definition precoated fabric dome tweeter with a wide, soft polymer surround and a rear chamber.

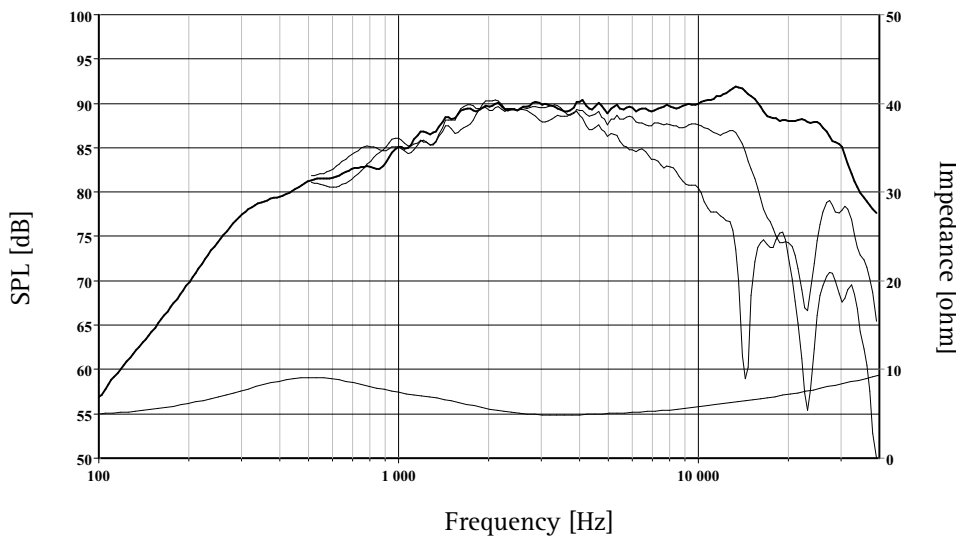
Sonotex precoated fabric diaphragm with high consistency and excellent stability against variations in air humidity

Sonomax surround for low resonance and excellent mechanical linearity.

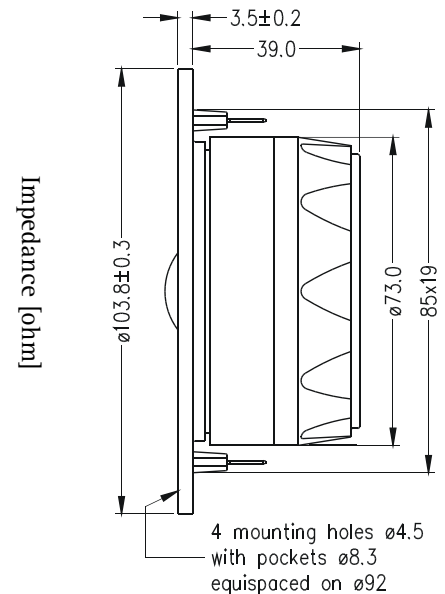
Voice coil windings immersed in magnetic fluid increase short term power handling capacity and reduce the compression at high power levels.

Stiff and stable rear chamber with optimal acoustic damping allows the tweeter to be used with moderately low crossover frequencies.

The chassis is precision moulded from glass fibre reinforced plastic, and its front design offers optimum radiation conditions.



The frequency responses above show measured free field sound pressure in 0, 30, and 60 degrees, mounted in a 0.6m by 0.8m baffle. Input 2.83 Vrms, microphone distance 0.5m, normalized to SPL 1m. The impedance is measured without baffle using a 2V sine signal.



Nominal Impedance	6 Ohms	Voice Coil Resistance	4.8 Ohms
Recommended Frequency Range	1500 - 25000 Hz	Voice Coil Inductance	0.05 mH
Short Term Power Handling *	220 W	Force Factor	3.5 N/A
Long Term Power Handling *	90 W	Free Air Resonance	550 Hz
Characteristic Sensitivity (2.83V, 1m)	90 dB	Moving Mass	0.37 g
Voice Coil Diameter	26 mm	Effective Piston Area	7.5 cm ²
Voice Coil Height	1.5 mm	Magnetic Gap Flux Density	1.8 T
Air Gap Height	2.0 mm	Magnet Weight	0.25 kg
Linear Coil Travel (p-p)	0.5 mm	Total Weight	0.50 kg