

BIANCO-10CX150

AUDIENCE

10" - Coaxial - Single Motor - 150W- 95dB

Preliminary data

- Proprietary cone paper material with linter pulp made in-house
- Integrated High-energy ferrite magnet structure for correct time alignment
- Shorting ring in motor system for reduced distortion
- Non-Conducting fibre glass voice coil former for minimum damping
- Voice coil with APC (Advanced Polymer Coating) treatment for improved power handling
- Constan directivity
- Shallow profile design for compact enclosure
- Long life silver lead wires
- Weather-proof coated conepaper
- Ribbon voice coil wire for high efficiency for HF driver
- Detailed mids and highs with punchy bass



Dimensions & Weight

Overall Diameter	258 mm (10.15 in)
Bolt Circle Diameter	248.3 mm (9.77 in)
Baffle Cutout Diameter	229 mm (9.01 in)
Mounting Depth	137.2 mm (5.40 in)
Flange and Gasket Thickness	9.12 mm (0.35 in)
Net Weight	4.96 Kg (10.91 lb)
Shipping Box	224 x 597 x 301 mm (8.81 x 23.50 x 11.85 in)
Gross Weight	12.2 Kg (26.89 lb)

Recone Kit

N/A

NOTES :

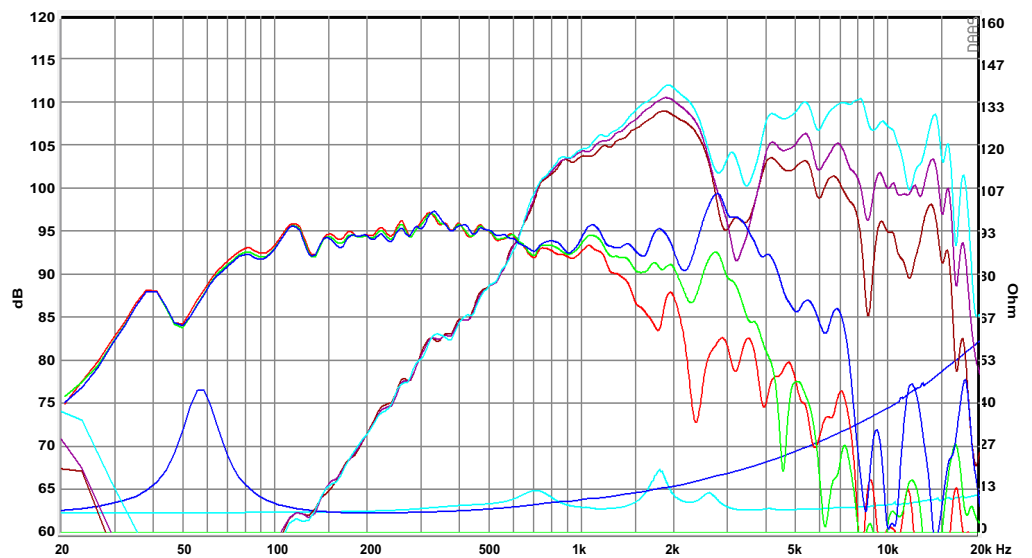
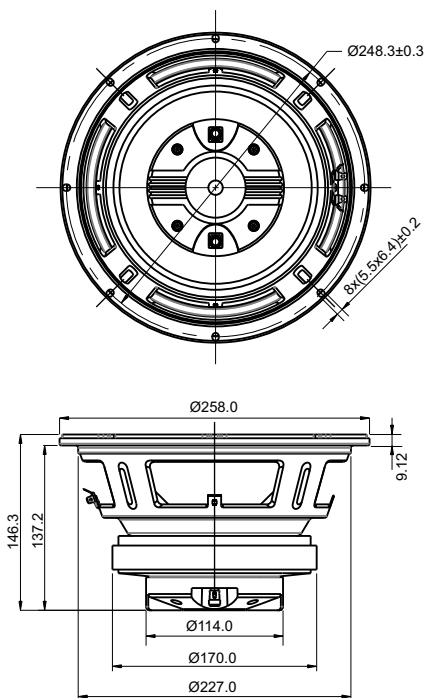
- (1) AES standard, test mode with continuous pink noise signal (6 dB crest factor; 2 hours) within the Fo to 10Fo power calculated on rated nominal impedance. Loudspeaker in free air
- (2) Maximum power is defined as 3dB greater than nominal power.
- (3) $X_{max} = ((\text{Winding depth} - \text{magnetic gap depth})/2) + (\text{magnetic gap depth}/3)$
- (4) Maximum excursion (p-p) before permanent damage

Specs :

	LF Unit	HF Unit
Nominal Impedance	8 Ohm	8 Ohm
Minimum Impedance	5.2 Ohm	6.2 Ohm
AES Power Handling (1)	150 W	50 W
Maximum Power Handling (2)	300 W	100 W
Sensitivity (1W/1m)	95 dB	107 dB
Frequency Range	58 - 6700 Hz	1840 - 20000 Hz
Voice Coil Diameter	60.5 mm (2.4 in)	44.3 mm (1.7 in)
Winding Material	Copper	Copper
Former Material	Till	Kapton
Winding Depth	13.92 mm	2.25 mm
Magnetic Gap Depth	8 mm (0.3 in)	2.5 mm (0.098 in)
Flux Density	0.92 T	1.5 T
Diaphragm Material	-	KAPTON
Magnet	Ferrite	-
Basket Material	Stamped steel	-
Demodulation	-	-
Cone Surround	Double half roll with damping glue	
NET Air Volume filled by driver	- liters	-
Spider Profile	Single constant height waves	
Weather Resistant	Yes	

Thiele Small Parameters

Fs	58 Hz
Re	5.2 Ohm
Qes	0.53
Qms	9.24
Qts	0.5
Vas	33.4 liters
Sd	353 cm ³
Xmax (3)	5.67 mm
Xdamage (4)	17.6 mm
Mms	38 g
BL	11.8 N/A
Le	0.6 mH
Cms	0.19 mm/N
Rms	1.5 Kg/s
Eta Zero	1.24 %
EBP	109



(IEC baffle, mic. distance 31.6 cm, SPL shown for 2.83 V / 1 m)

Response Curve : (Woofer) --- (Blue) : on axis --- (Green) : 30° off-axis --- (Red) : 60° off-axis
(Tweeter) --- (Blue) : on axis --- (Purple) : 30° off-axis --- (Brown) : 60° off-axis