

[Home \(/en/\)](#) > [NEODYMIUM HF DRIVERS \(/en/products/neodymium-hf-drivers.html\)](#) > [ND571CN](#)

ND571CN

[ND571CN \(/en/products/neodymium-hf-drivers/466-nd571cn.html\)](#)

[Curves \(/en/products/neodymium-hf-drivers/466-nd571cn.html?start=1\)](#)

[Drawings \(/en/products/neodymium-hf-drivers/466-nd571cn.html?start=2\)](#)

[All Pages \(/en/products/neodymium-hf-drivers/466-nd571cn.html?showall=1\)](#)

NEW 2" High Frequency Compression Driver, 2.85" voice coil, 100 W, 110 dB



KEY FEATURES:

- 2" Throat diameter
- 72 mm (2.85 in.) voice coil
- 200 W Program Power Capacity (1-20 kHz)
- 110 dB Sensitivity (1-10 kHz)
- Frequency range 0.8 - 16 kHz
- Neodymium magnetic structure

PART NUMBER:

ND571CN - 8 Ω -14120N0208

ND571CN -16 Ω -14120N0216

[Back to Top](#)

The ND571CN is powerful 2" neodymium HF driver, which features a carbon composite dome and high damped vented suspension, providing exceptional high output with low distortion and frequency response with high linearity. This new dome material reduces breakup modes and ensures perfect Waterfall Response of the driver. The voice coil assembly is easily fielded replaceable without soldering. It is designed for a wide variety of applications in high quality, high power professional reinforcement systems and stage monitors.

SPECIFICATIONS

Throat diameter	50.8 mm (2 in.)
Nominal impedance	8/16 Ohms
Minimum impedance	8.17 / 11.46 Ohms
D.C. resistance	6.8 / 9.4 Ohms
Power capacity (1-20 kHz)	100 W
Program Power Capacity (1-20 kHz)	200 W
Sensitivity (1-10 kHz)	110 dB
Frequency range	0,8 - 16 kHz
Recommended crossover	1 kHz or higher 12 dB/oct.min
Voice coil diameter	72 mm (2,85 in.)
Flux density	1.95 T

MATERIALS OF CONSTRUCTION

Diaphragm	Carbon composite
Voice coil material	Aluminium
Voice coil former	Kapton™

Positive voltage on red terminal moves diaphragm toward the phasing plug

MOUNTING INFORMATION

Overall diameter	130 mm
Depth	112 mm
Mounting	4 x M6 on 101,6 mm (4 in.) diameter
Net weight	2.82 kg

SERVICE KIT:

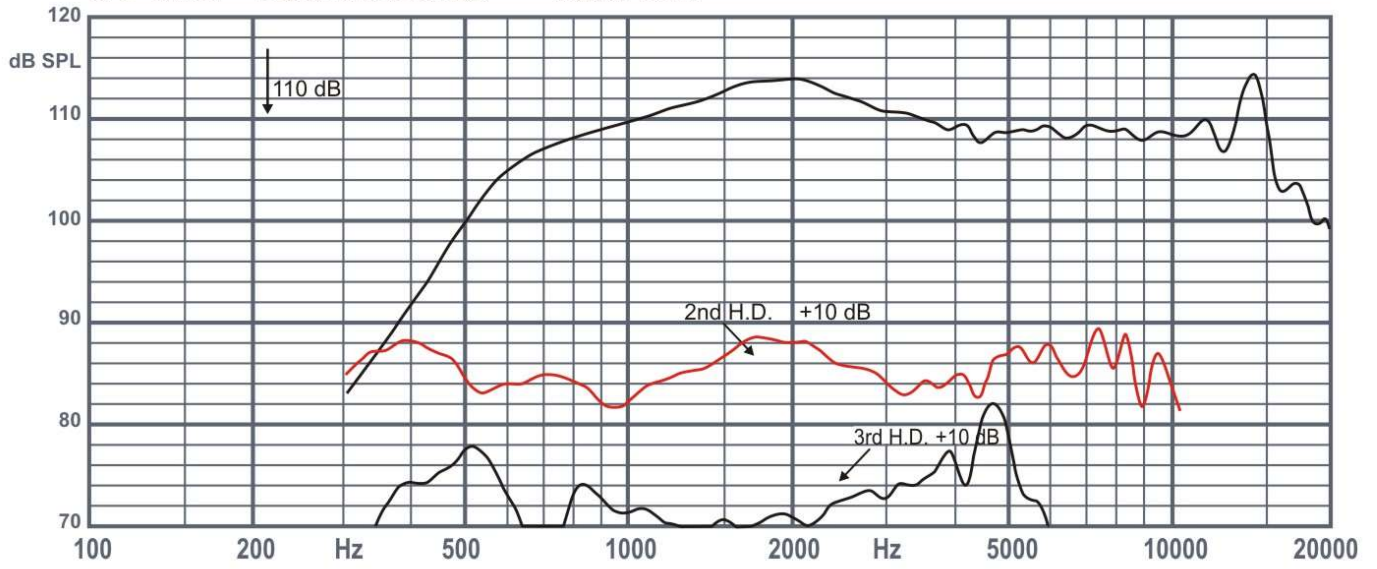
Diaphragm assembly:

DA76CN/h-8 part No: R412800408 for 8 Ω drivers

DA76CN/h-16 part No: R412800416 for 16 Ω drivers

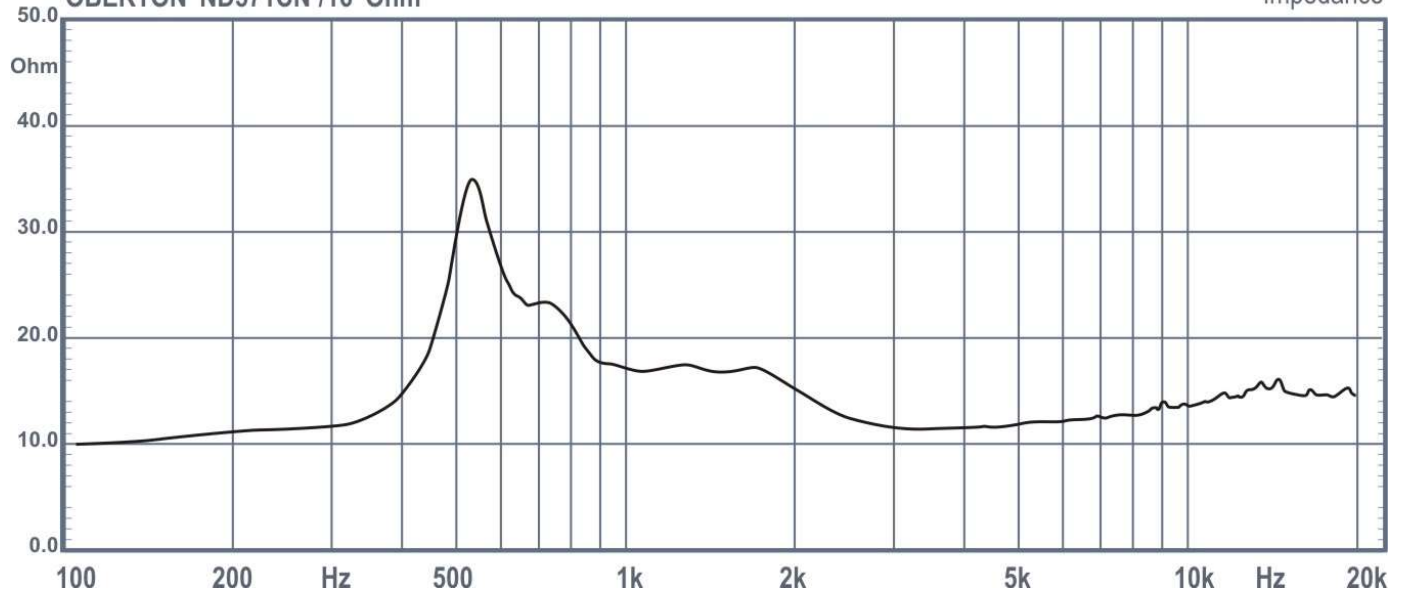
Frequency Response

SPL 1W/1m OBERTON ND571CN Traktris Horn

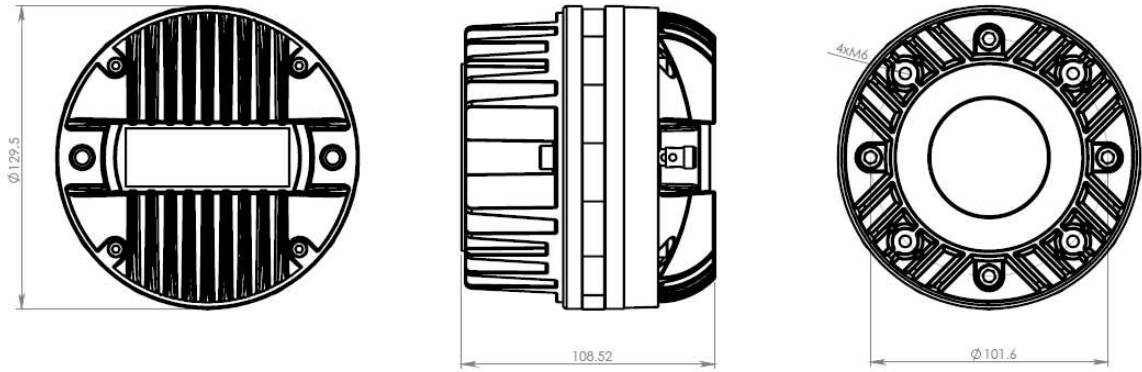


OBERTON ND571CN /16 Ohm

Impedance



Download [PDF \(/images/stories/pdfi/ND571.PDF\)](/images/stories/pdfi/ND571.PDF)



OBERTON	
model:	ND571
Dimensions are in mm	Scale: 1:2

Copyright © 2021 OBERTON Professional Loudspeakers. All Rights Reserved.

[Terms and conditions \(/en/terms-and-conditions.html\)](/en/terms-and-conditions.html)

[Privacy Policy \(/en/privacy-policy.html\)](/en/privacy-policy.html)