

## Oberton [ND3671](#)



### KEY FEATURES:

- 1.4" Throat diameter
- 72 mm (2.85 in.) voice coil
- 150 W Program Power Capacity (1-20 kHz)
- 110 dB Sensitivity (2-15 kHz)
- Frequency range 0.8 - 16 kHz
- Neodymium magnetic structure

The **ND3671** is powerful 1.4" neodymium driver features an integral dome and suspension made of special polyester, providing exceptional high output with low distortion and frequency response with high linearity. The voice coil assembly is easily field replaceable without soldering. It is designed for a wide variety of applications in high quality, high power professional reinforcement systems and stage monitors.

### SPECIFICATION

Throat diameter	36 mm (1.4 in.)
Nominal impedance	8/16 Ohms
Minimum impedance	7.8/12 Ohms
D.C. resistance	6.5/10 Ohms
Power capacity (1-20 kHz)	75 W
Program Power Capacity (1-20 kHz)	150 W
Sensitivity (2-15 kHz)	110 dB
Frequency range	0,8 - 16 kHz
Recommended crossover	1 kHz or higher 12 dB/oct.min
Voice coil diameter	72 mm (2,85 in.)
Flux density	1.95 T

### MATERIALS OF CONSTRUCTION

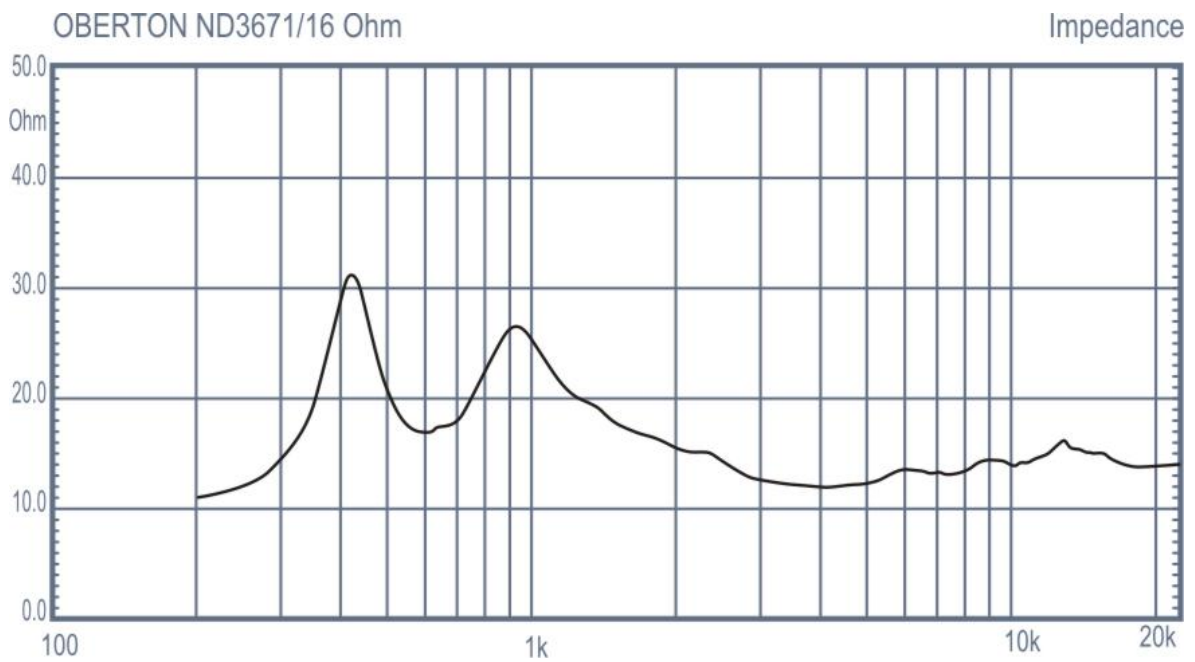
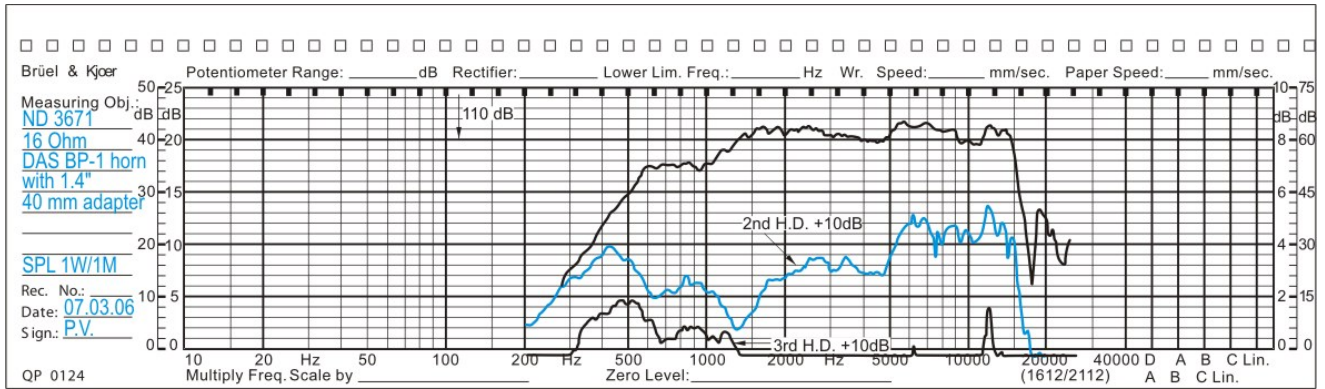
Diaphragm	sandwich polyester
Voice coil material	Aluminium
Voice coil former	Kapton™

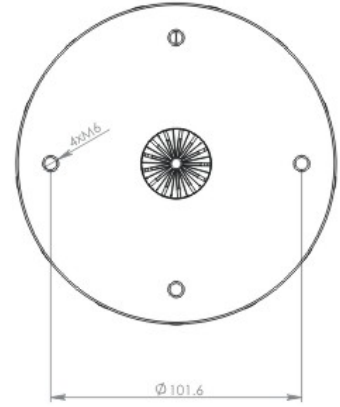
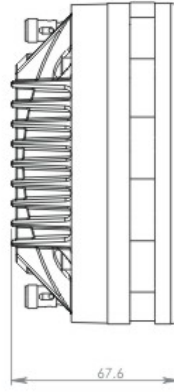
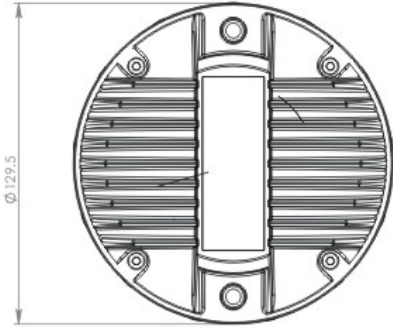
### MOUNTING INFORMATION

Overall diameter	130 mm
Depth	68 mm
Mounting	4 x M6 on 101,6 mm (4 in.) diameter
Net weight	2,57 kg

Positive voltage on red terminal moves diaphragm toward the phasing plug

# Frequency Response





**OBERTON**

model: ND3671

Dimensions are in mm

Scale: 1:2