

Search...

Home (/en/) > NEODYMIUM HF DRIVERS (/en/products/neodymium-hf-drivers.html) > ND3662

ND3662

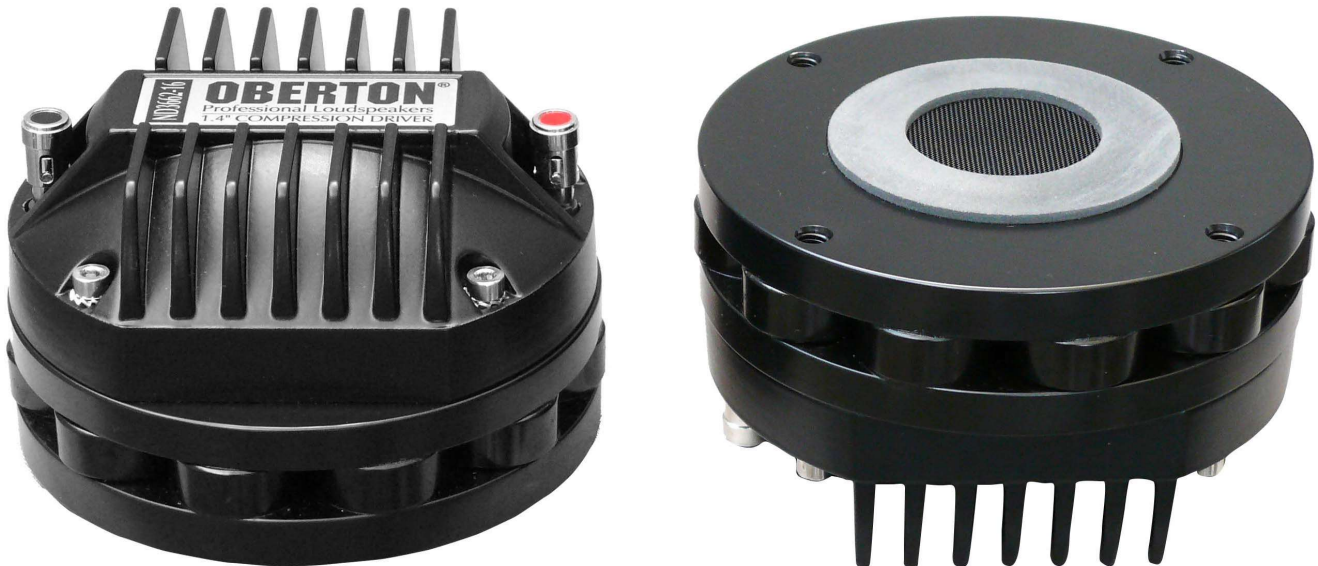
ND3662 (/en/products/neodymium-hf-drivers/209-nd3662.html)

Curves (/en/products/neodymium-hf-drivers/209-nd3662.html?start=1)

Drawings (/en/products/neodymium-hf-drivers/209-nd3662.html?start=2)

All Pages (/en/products/neodymium-hf-drivers/209-nd3662.html?showall=1)

NEW 1.4" High Frequency Compression Driver, 2.5" voice coil, 65 W, 109 dB



KEY FEATURES:

- 1.4" Throat diameter
- 62 mm (2.5 in.) voice coil
- 130 W Program Power Capacity (1-20 kHz)
- 109 dB Sensitivity (2-15 kHz)
- Frequency range 0.8 - 18 kHz
- Neodymium magnetic structure

PART NUMBER:

ND3662- 8 Ω : 14114N1008

ND3662-16 Ω : 14114N1016

The ND3662 is light weight powerful 1.4" neodymium driver features an integral dome and suspension made of special polyester, providing exceptional high output with low distortion and frequency response with high linearity. The voice coil assembly is easily field replaceable without soldering. It is designed for a wide variety of

[Back to Top](#)

applications in high quality, high power professional reinforcement systems including line arrays and stage monitors.

SPECIFICATIONS

Throat diameter	36 mm (1.4 in.)
Nominal impedance	8 / 16 Ohms
Minimum impedance	7.06 / 14.10 Ohms
D.C. resistance	5.37 / 10.56
Power capacity (1-20 kHz)	65 W
Program Power Capacity (1-20 kHz)	130 W
Sensitivity (2-15 kHz)	109 dB
Frequency range	0,8 - 18 kHz
Recommended crossover	1.2 kHz or higher 12 dB/oct.min
Voice coil diameter	62 mm (2,5 in.)
Flux density	1.9 T

THIELE-SMALL PARAMETERS

Diaphragm	sandwich polyester
Voice coil material	Aluminium
Voice coil former	Kapton™

Positive voltage on red terminal moves diaphragm toward the phasing plug

MOUNTING INFORMATION

Overall diameter	115 mm
Depth	70 mm
Mounting	4 x M6 on 101,6 mm (4 in.) diameter
Net weight	2,00 kg

SERVICE KIT:

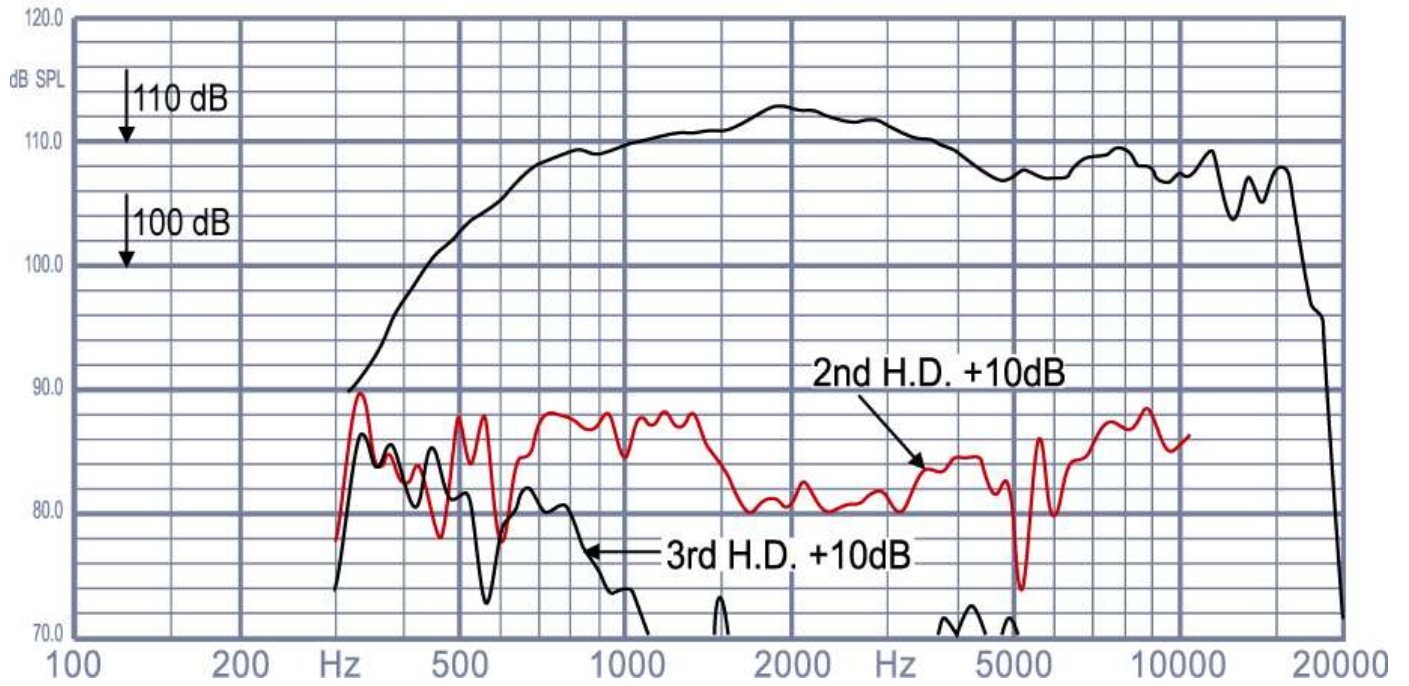
Diaphragm assembly:

DA62-8 part No: R412500108 for 8 Ω drivers

DA62-16 part No: R412500116 for 16 Ω drivers

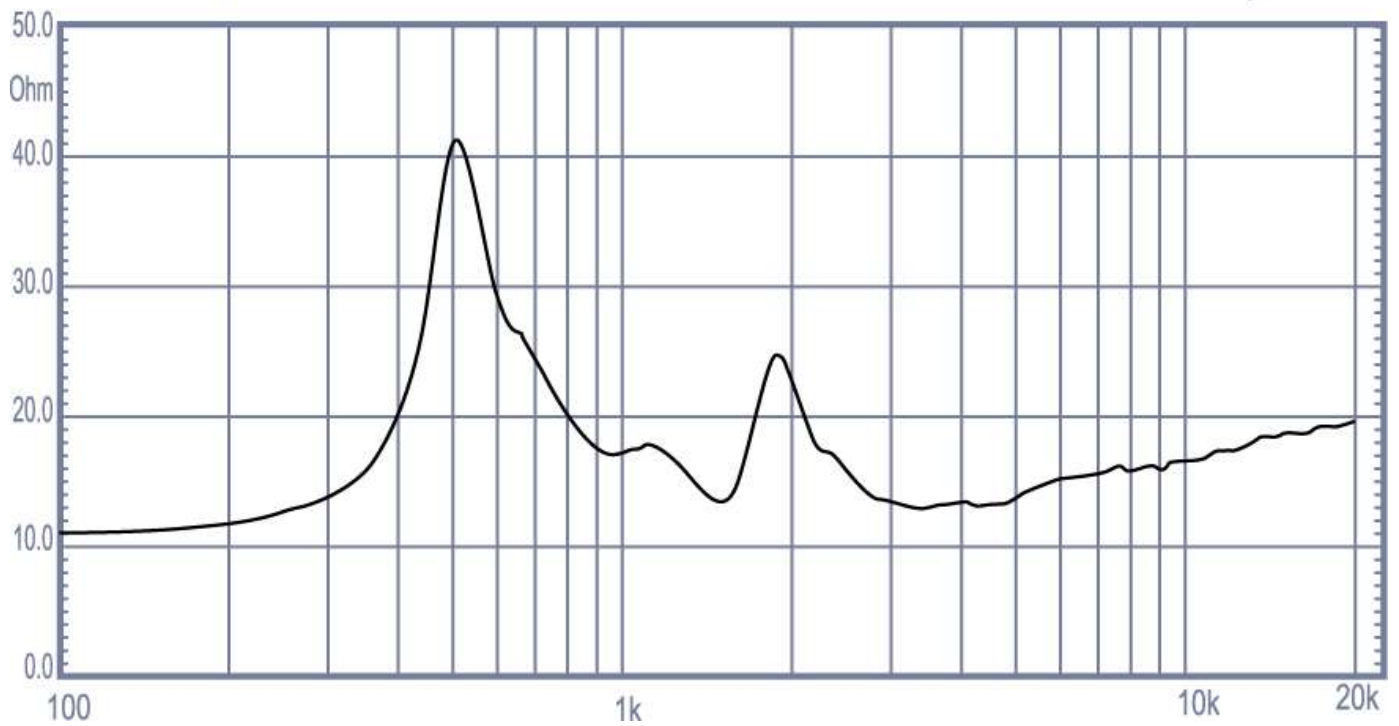
Frequency Response

SPL1W/1m ND3662 16Ohm OBERTON H1464 horn



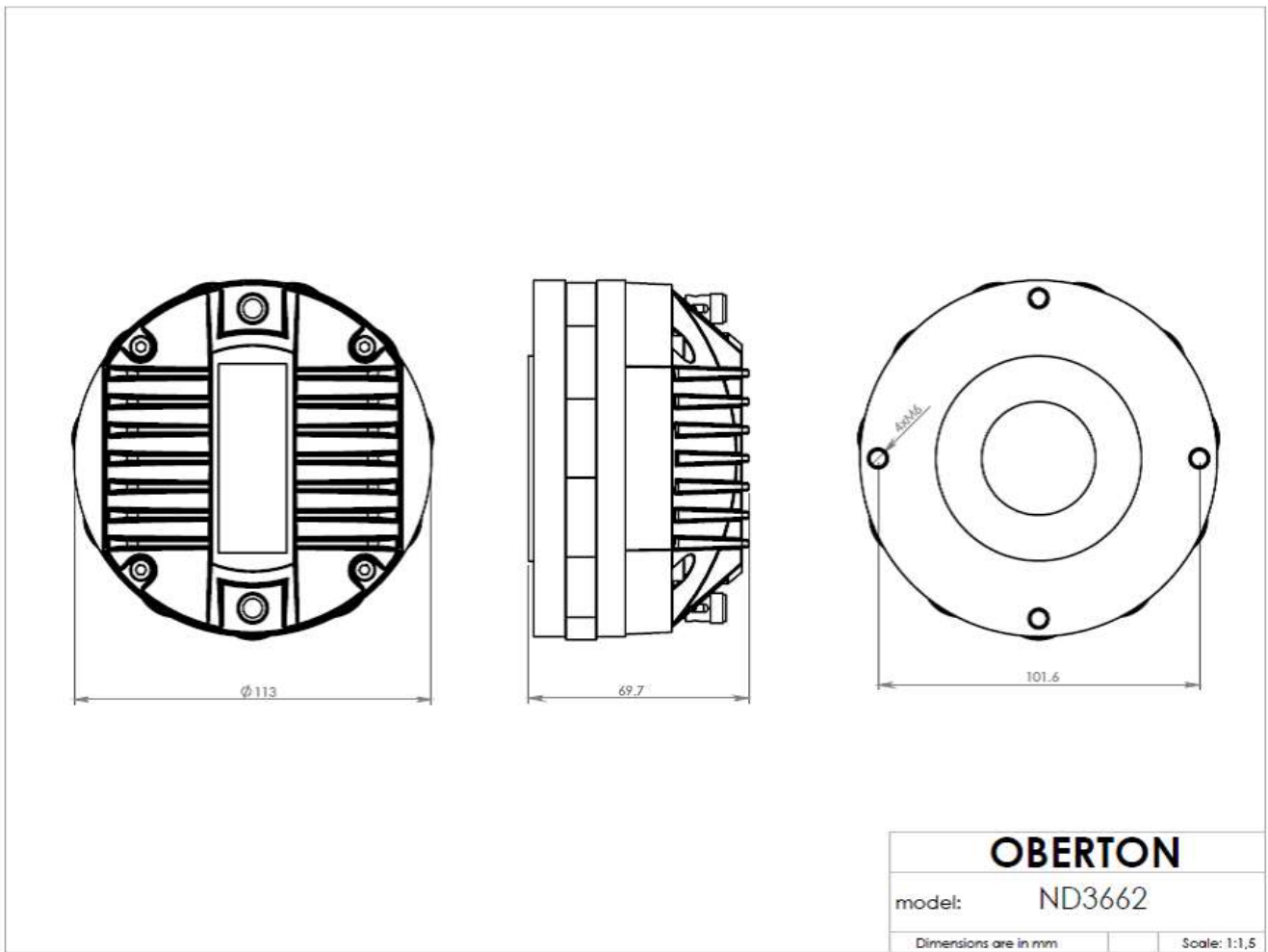
OBERTON ND3662/16 Ohm

Impedance



Download (/images/stories/pdfi/ND3662.pdf) PDF (/images/stories/pdfi/ND3662.pdf)

Back to Top



Copyright © 2021 OBERTON Professional Loudspeakers. All Rights Reserved.

[Terms and conditions \(/en/terms-and-conditions.html\)](/en/terms-and-conditions.html)

[Privacy Policy \(/en/privacy-policy.html\)](/en/privacy-policy.html)