

Oberton [ND2544](#)



KEY FEATURES:

- 1" Throat diameter
 - 44 mm (1.75 in.) voice coil
- 80 W Program Power Capacity (2-20 kHz)
 - 107 dB Sensitivity (2-15 kHz)
 - Frequency range 1 - 20 kHz
 - Neodymium magnetic structure

The ND2544 high frequency compression neodymium driver is small version of ND2545. It features an integral dome and suspension made of special polyester, providing exceptional high output with low distortion and frequency response with good linearity. The reduced weight and price make it preferable for compact 2 way and line array boxes. The voice coil assembly is easily field replaceable without soldering.

SPECIFICATION

Throat diameter	25,4 mm (1 in.)
Nominal impedance	8/16 Ohms
Minimum impedance	6,50/13.36 Ohms
D.C. resistance	5,15/10,8 Ohms
Power capacity (2-20 kHz)	40W
Program Power Capacity (2-20 kHz)	80W
Sensitivity (2-15 kHz)	107 dB
Frequency range	1 - 20 kHz
Recommended crossover	1,5 kHz or higher 12 dB/oct.min
Voice coil diameter	44 mm (1,75 in.)
Flux density	1.75 T

MATERIALS OF CONSTRUCTION

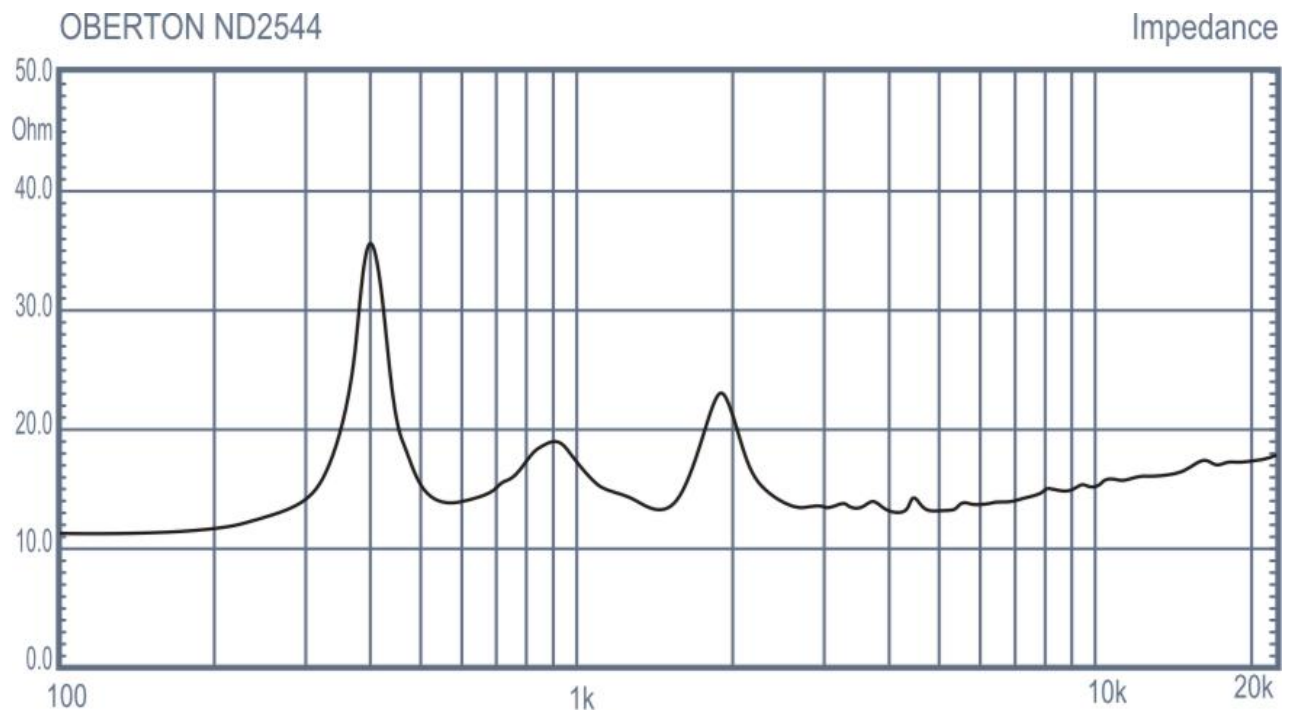
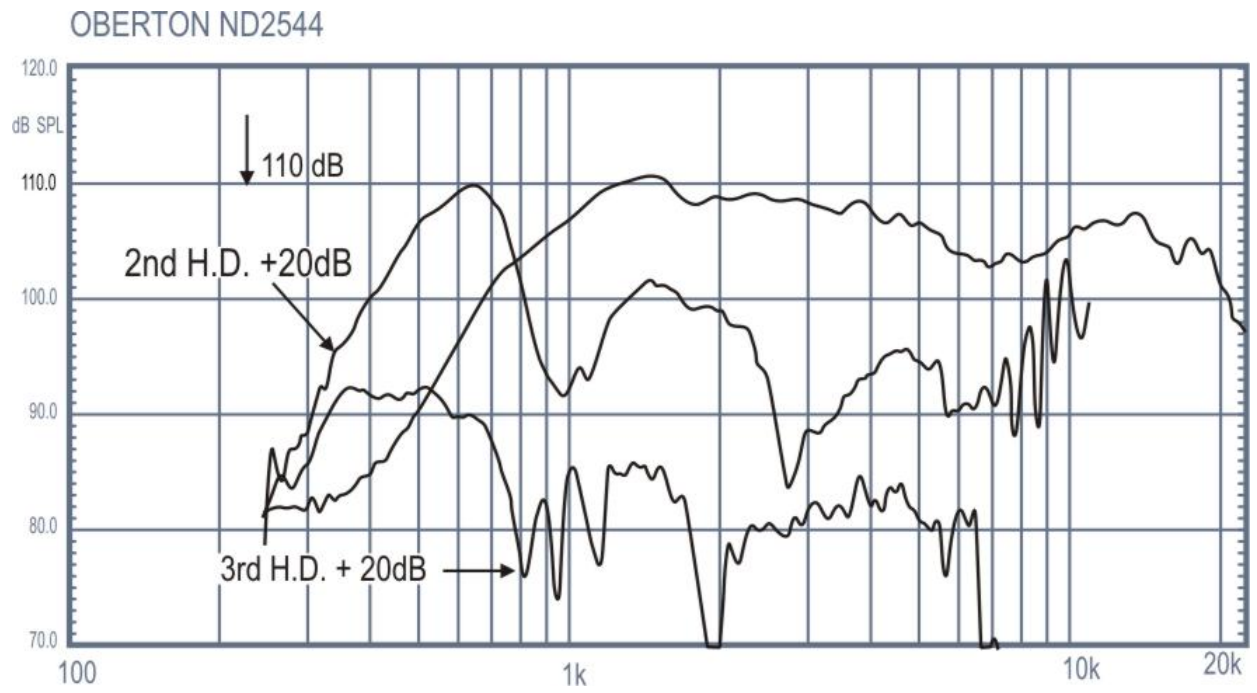
Diaphragm	sandwich polyester
Voice coil material	aluminium
Voice coil former	Kapton™

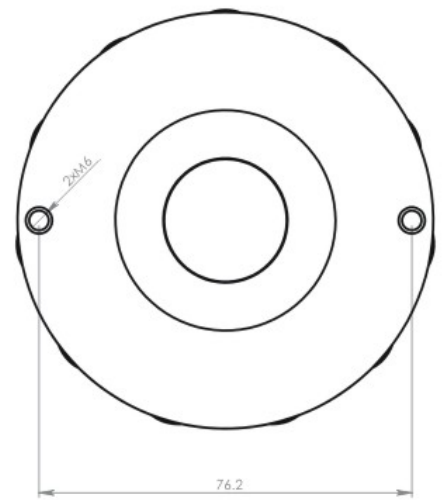
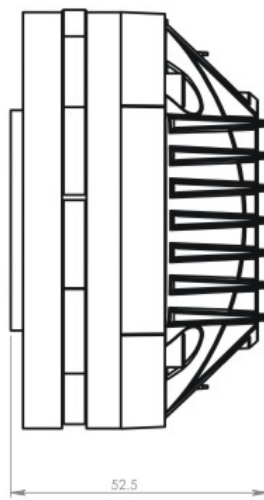
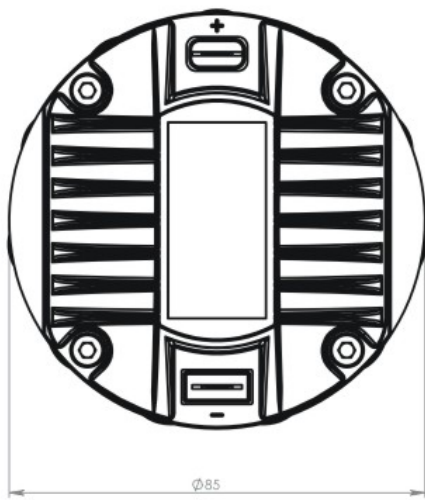
MOUNTING INFORMATION

Overall diameter	86 mm
Depth	50 mm
Mounting	2 x M5 holes 180° on 76.2 mm (3 in.) diam
Net weight	0,86 kg

Positive voltage on red terminal moves diaphragm toward the phasing plug

Frequency Responce





OBERTON

model: ND2544

Dimensions are in mm

Scale: 1:1