

## Oberton [ND2539](#)



### KEY FEATURES:

- 1" Throat diameter
- 38 mm (1.5 in.) voice coil
- 60 W Program Power Capacity (2-20 kHz)
  - 105 dB Sensitivity (2-15 kHz)
  - Frequency range 1.5 - 20 kHz
  - Neodymium magnetic structure

The ND2539 is a 1" professional compression driver that delivers high sonic quality in a very small package. The driver is designed for a wide variety of applications and special for compact boxes with low weight.

### SPECIFICATION

Throat diameter	25,4 mm (1 in.)
Nominal impedance	16 Ohms
Minimum impedance	11.8 Ohms
D.C. resistance	10.7 Ohms
Power capacity (2-20 kHz)	30 W
Program Power Capacity (2-20 kHz)	60 W
Sensitivity (2-15 kHz)	105 dB
Frequency range	1.5 - 20 kHz
Recommended crossover	2 kHz or higher 12 dB/oct.min
Voice coil diameter	38 mm (1,5 in.)
Flux density	1.56 T

### MATERIALS OF CONSTRUCTION

Diaphragm	sandwich polyester
Voice coil material	Aluminium
Voice coil former	Kapton™

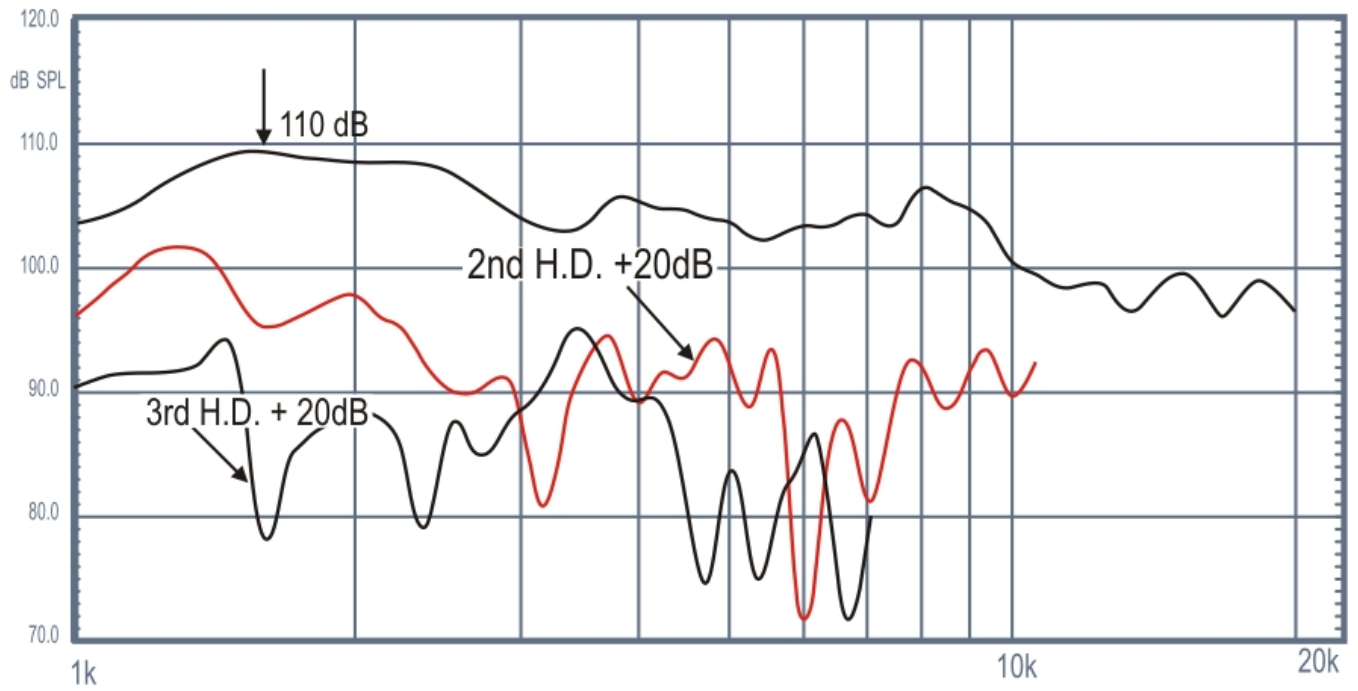
### MOUNTING INFORMATION

Overall diameter	72 mm
Depth	56 mm
Mounting	1"3/8; 18 N screw
Net weight	0,67 kg

Positive voltage on red terminal moves diaphragm toward the phasing plug

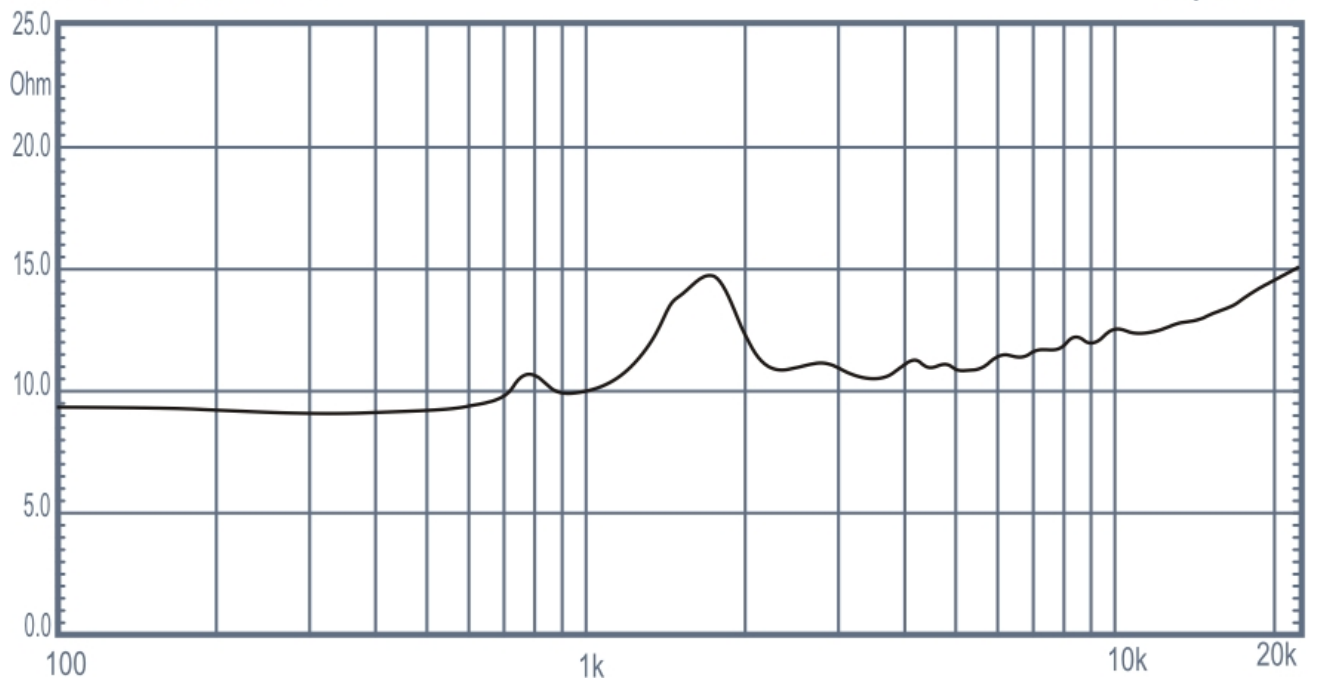
# Frequency Responce

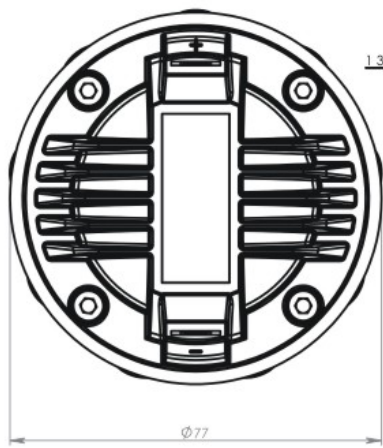
OBERTON ND2539



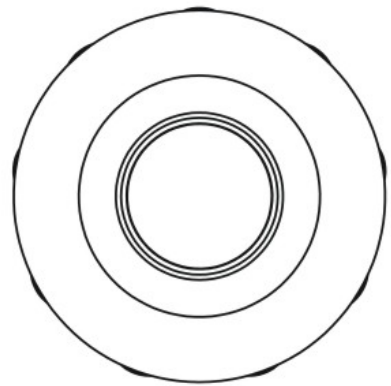
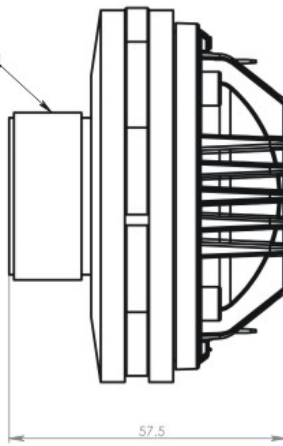
OBERTON ND2539

Impedance





1.3/8 - 18N



**OBERTON**

model: ND2539

Dimensions are in mm

Scale: 1:1