

Oberton [D3672](#)



KEY FEATURES:

- 1.4" Throat diameter
- 72 mm (2,85 in.) voice coil
- 150 W Program Power Capacity (1-20 kHz)
- 109.5 dB Sensitivity (2-15 kHz)
- Frequency range 0,5 - 16 kHz

The D3672 1.4" high frequency compression driver features an integral dome and suspension made of special polyester, providing exceptional high output with low distortion and frequency response with high linearity. It is designed for application in high level professional sound equipment.

SPECIFICATION

| | |
|-----------------------------------|---------------------------------|
| Throat diameter | 36 mm (1.4 in.) |
| Nominal impedance | 8/16 Ohms |
| Minimum impedance | 7.8/12 Ohms |
| D.C. resistance | 6.5/10 Ohms |
| Power capacity (1-20 kHz) | 75 W |
| Program Power Capacity (1-20 kHz) | 150 W |
| Sensitivity (2-15 kHz) | 109,5 dB |
| Frequency range | 0,5 - 16 kHz |
| Recommended crossover | 0,8 kHz or higher 12 dB/oct.min |
| Voice coil diameter | 72 mm (2,85 in.) |
| Flux density | 1,78 T |

MATERIALS OF CONSTRUCTION

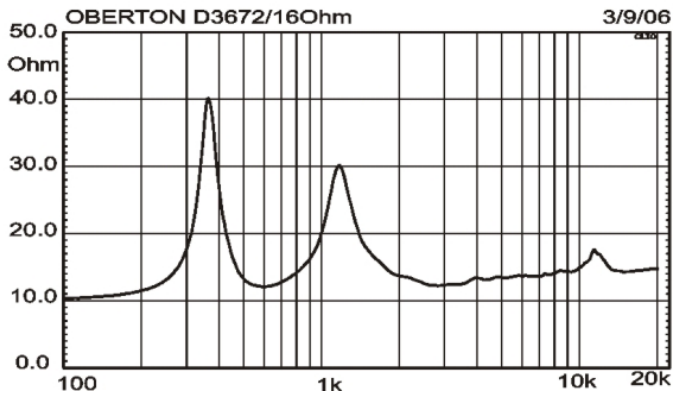
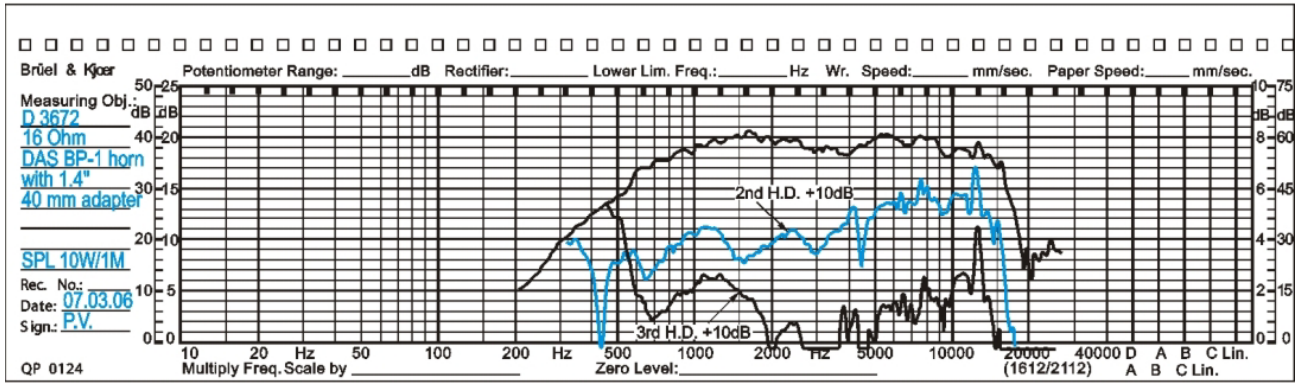
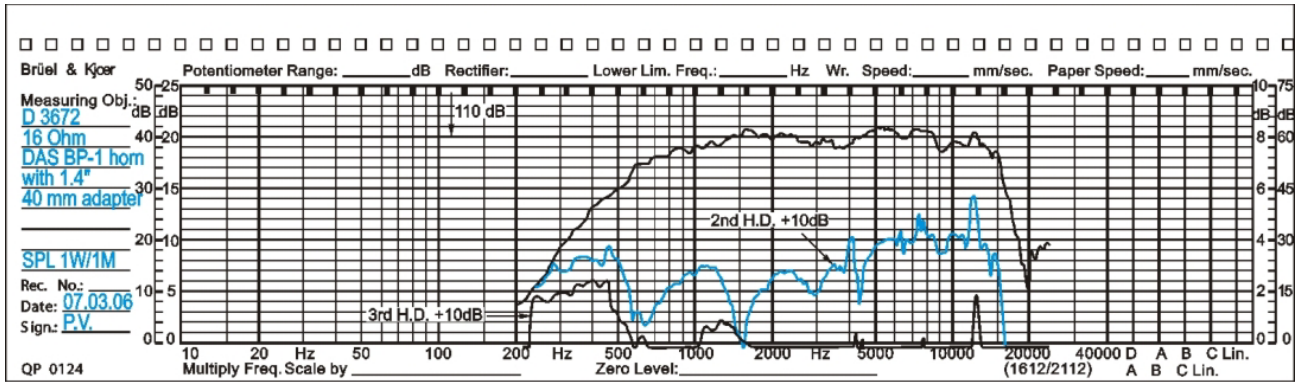
| | |
|---------------------|--------------------|
| Diaphragm | sandwich polyester |
| Voice coil material | Aluminium |
| Voice coil former | Kapton™ |

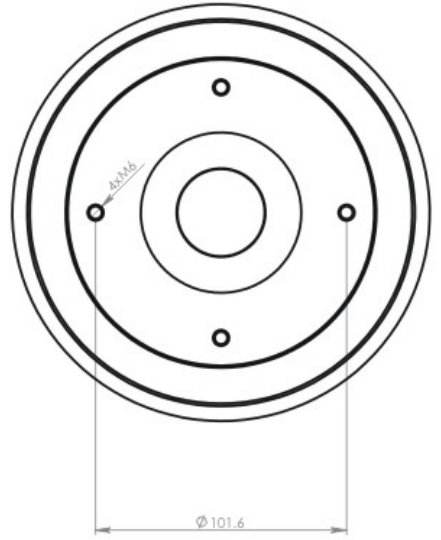
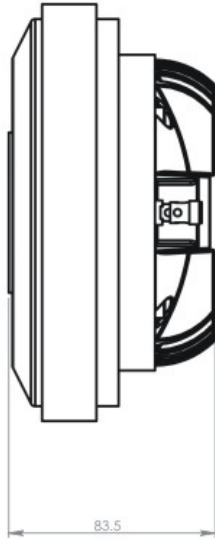
MOUNTING INFORMATION

| | |
|------------------|-------------------------------------|
| Overall diameter | 170 mm |
| Depth | 85 mm |
| Mounting | 4 x M6 on 101,6 mm (4 in.) diameter |
| Net weight | 5,1 kg |

Positive voltage on red terminal moves diaphragm toward the phasing plug

Frequency Response





| | |
|----------------------|------------|
| OBERTON | |
| model: | D3672 |
| Dimensions are in mm | Scale: 1:2 |