

## Oberton [D2545](#)



### KEY FEATURES:

- 1" Throat diameter
  - 44 mm (1.75 in.) voice coil
- 80 W Program Power Capacity (2-20 kHz)
- 109 dB Sensitivity (2-15 kHz)
- Frequency range 1 - 20 kHz

The D2545 high frequency compression drivers features an integral dome and suspension made of special polyester, providing exceptional high output with low distortion and frequency response up to 20 kHz.

### SPECIFICATION

Throat diameter	25,4 mm (1 in.)
Nominal impedance	8/16 Ohms
Minimum impedance	6,4/12,7 Ohms
D.C. resistance	5,15/10,8 Ohms
Power capacity (2-20 kHz)	40 W
Program Power Capacity (2-20 kHz)	80 W
Sensitivity (2-15 kHz)	109 dB
Frequency range	1 - 20 kHz
Recommended crossover	1,5 kHz or higher 12 dB/oct.min
Voice coil diameter	44 mm (1,75 in.)
Flux density	1,9 T

### MATERIALS OF CONSTRUCTION

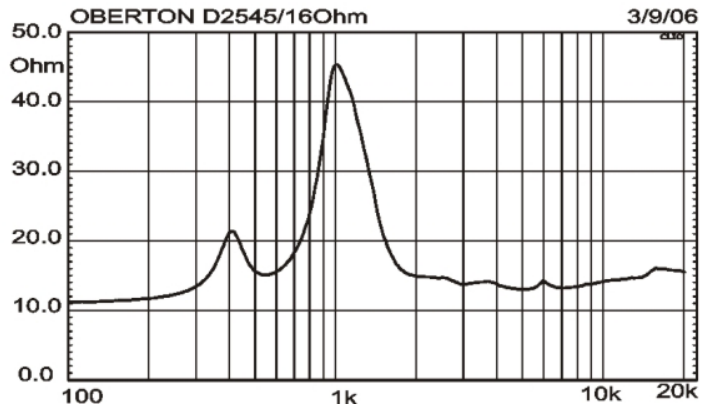
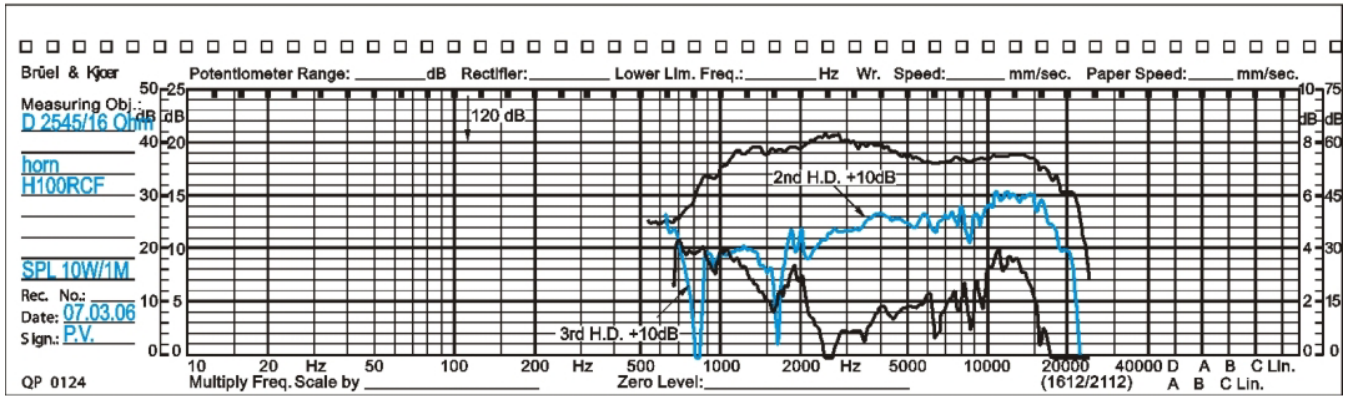
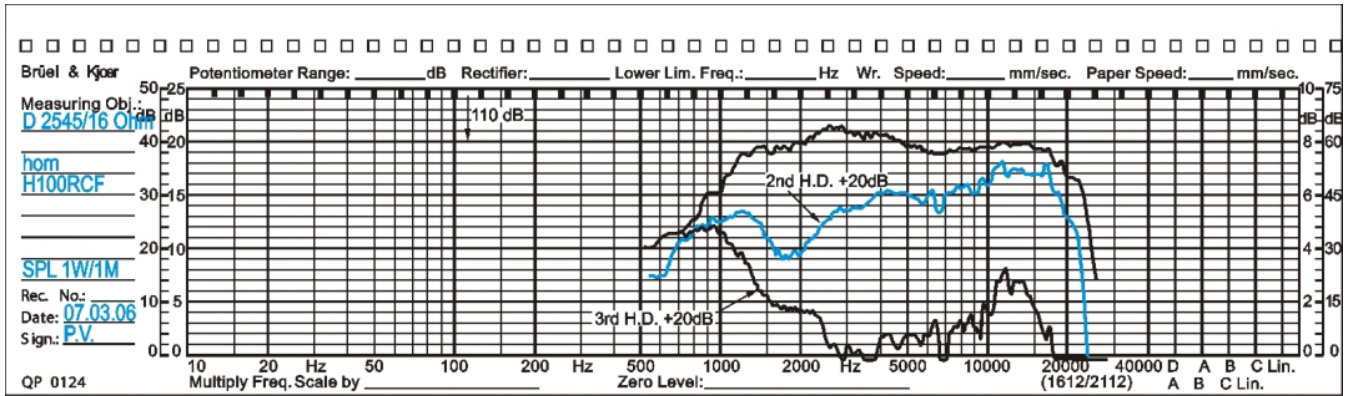
Diaphragm	sandwich polyester
Voice coil material	Aluminium
Voice coil former	Kapton™

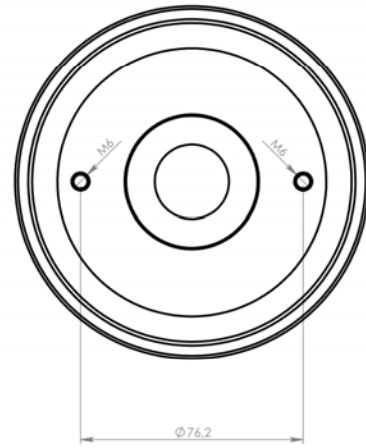
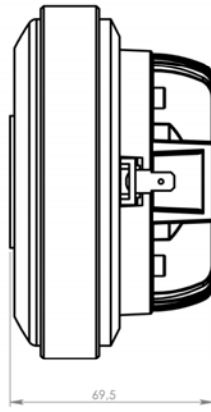
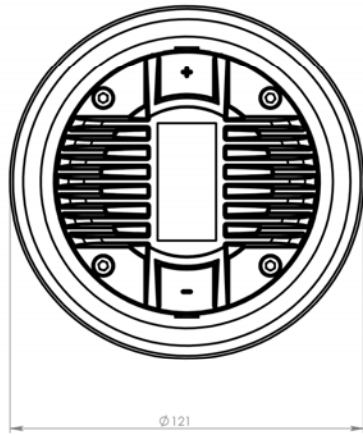
### MOUNTING INFORMATION

Overall diameter	121 mm
Depth	70 mm
Mounting	4 x M6 holes 90° on 76.2 mm (3 in.)
Net weight	diam 2,3 kg

Positive voltage on red terminal moves diaphragm toward the phasing plug

# Frequency Response





**OBERTON**

model: D2545

Dimensions are in mm

Scale: 1:1.5