

Oberton [D2538](#)



KEY FEATURES:

- 1" Throat diameter
- 38 mm (1.5 in.) voice coil
- 60 W Program Power Capacity (2-20 kHz)
 - 105 dB Sensitivity (2-15 kHz)
 - Frequency range 1.5 - 20 kHz

The OBERTON D2538 – 1" compression driver is small version of D2544. It is designed for application in small and medium loudspeaker boxes. It has a typical OBERTON sound at reduced cost.

SPECIFICATION

Throat diameter	25.4 mm (1 in.)
Nominal impedance	16 Ohms
Minimum impedance	10.48 Ohms
D.C. resistance	9.10 Ohms
Power capacity (2-20 kHz)	30 W
Program Power Capacity (2-20 kHz)	60 W
Sensitivity (2-15 kHz)	105 dB
Frequency range	1.5 - 20 kHz
Recommended crossover	2 kHz or higher 12 dB/oct.min
Voice coil diameter	38 mm (1.5 in.)
Flux density	1.50 T

MATERIALS OF CONSTRUCTION

Diaphragm	sandwich polyester
Voice coil material	Aluminium
Voice coil former	Kapton™

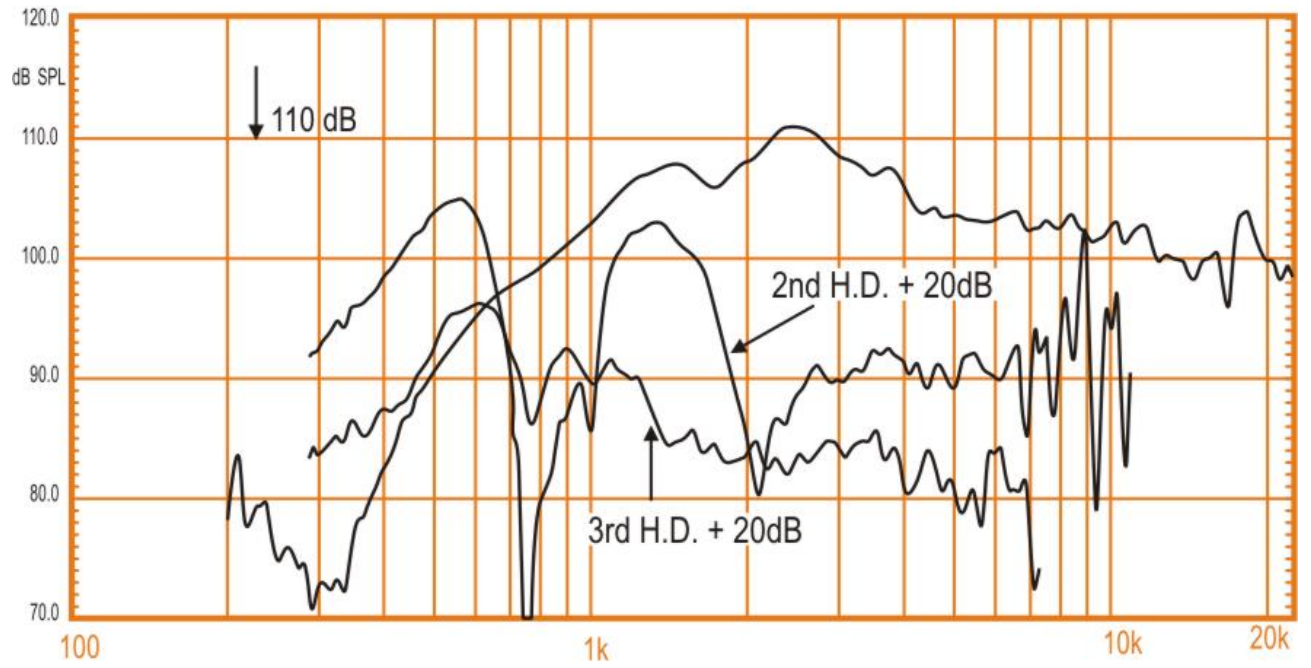
MOUNTING INFORMATION

Overall diameter	96 mm
Depth	56 mm
Mounting	2 x M5 holes 180° on 76.2 mm (3 in.) diam
Net weight	1.27 kg

Positive voltage on red terminal moves diaphragm toward the phasing plug

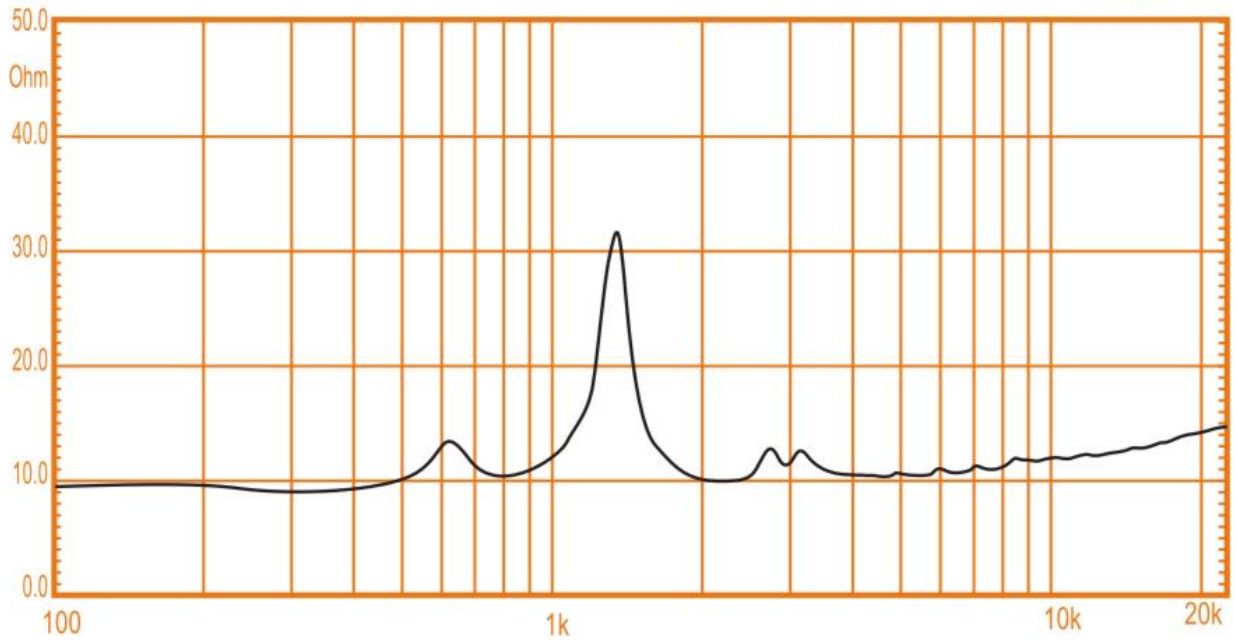
Frequency Responce

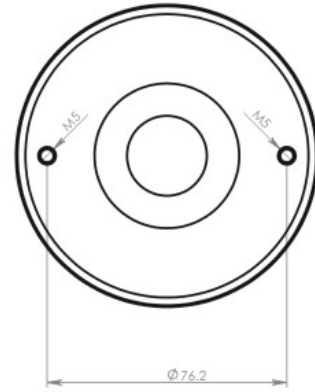
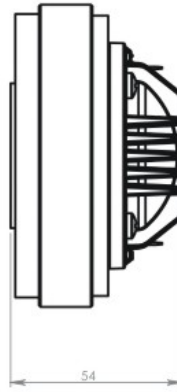
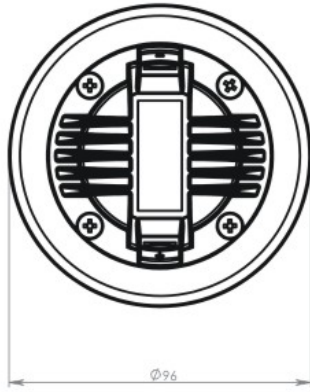
OBERTON D2538



OBERTON D2538160hm

Impedance





OBERTON

model: D2538

Dimensions are in mm

Scale: 1:1.5