

[Home \(/en/\)](#) > [FERRITE LOUDSPEAKERS \(/en/products/ferrite-loudspeakers.html\)](#) > [10MB500](#)

# 10MB500

[10MB500 \(/en/products/ferrite-loudspeakers/463-10mb500.html\)](#)

[Curves \(/en/products/ferrite-loudspeakers/463-10mb500.html?start=1\)](#)

[Drawings \(/en/products/ferrite-loudspeakers/463-10mb500.html?start=2\)](#)

[All Pages \(/en/products/ferrite-loudspeakers/463-10mb500.html?showall=1\)](#)

**NEW** 10" Midbass , 3" voice coil, 500 W, 97 dB



## KEY FEATURES:

- 97 db 1W / 1m average sensitivity
- 77 mm high temperature aluminium voice coil
- 1000 W AES program power
- Double aluminium demodulating rings for lower distortion and improved heat dissipation
- Powerful, ferrite 180 mm magnet structure
- Water protected cone (front)

**PART NUMBER:** 11110F0108

[Back to Top](#)

**Application : Power midbass speaker**

The 10MB500 loudspeaker is combining good linearity and efficiency with high power handling capabilities, with use of 77 mm aluminium voice coil. It features aluminium die cast frame, 180 mm ferrite magnet structure and curvilinear paper cone with water protection (front). The double aluminium demodulating rings on the magnet structure reduce distortion and inductance and improve transient response. 10MB500 is suitable for application as LF driver in compact 2- way PA boxes with 1" HF driver.

**SPECIFICATIONS**

Nominal Diameter	10"/262 inch/mm
Impedance	8 Ohm
Minimum Impedance	6.05 Ohm
Power Capacity AES <sup>1</sup>	500 W
Program Power <sup>2</sup>	1000 W
Sensitivity	(200-2000 Hz) 97 dB/W/m
Frequency Range	65 - 3000 Hz
Voice Coil Diameter	77 mm
Voice Coil Material	Aluminium
Voice Coil Former	Glassfiber
V. C. Winding Depth	20 mm
Magnet Gap Depth	7 mm
Cone Material	Paper
Basket	Die cast aluminium
Magnet	Feritte
Flux Density	1.25 T

**THIELE-SMALL PARAMETERS**

Fs	65,94 Hz
Qms	9.46
Qes	0.316
Qts	0.306
Vas	22,08 Litres
Mms	37,85 grams
Re	4,81 Ohms
Sd	317.3 cm <sup>2</sup>
Xmax*	±8.25 mm
Cms	0.154 mm/N
BL	15,45 T.m
Le at 1kHz	0.333 mH

1. AES standard. Power is calculated on rated minimum impedance. Measurement is in 30 L box enclosure tuned 60 Hz using a 50-1000 Hz band limited pink noise test signal applied continuously for 2 hours.

2. Program power is defined as 3db greater than AES Power Capacity.

\* Linear Mathematical Xmax is calculated as:  $(Hvc - Hg)/2 + Hg/4$  where Hvc is the voice coil depth and Hg is the gap depth.

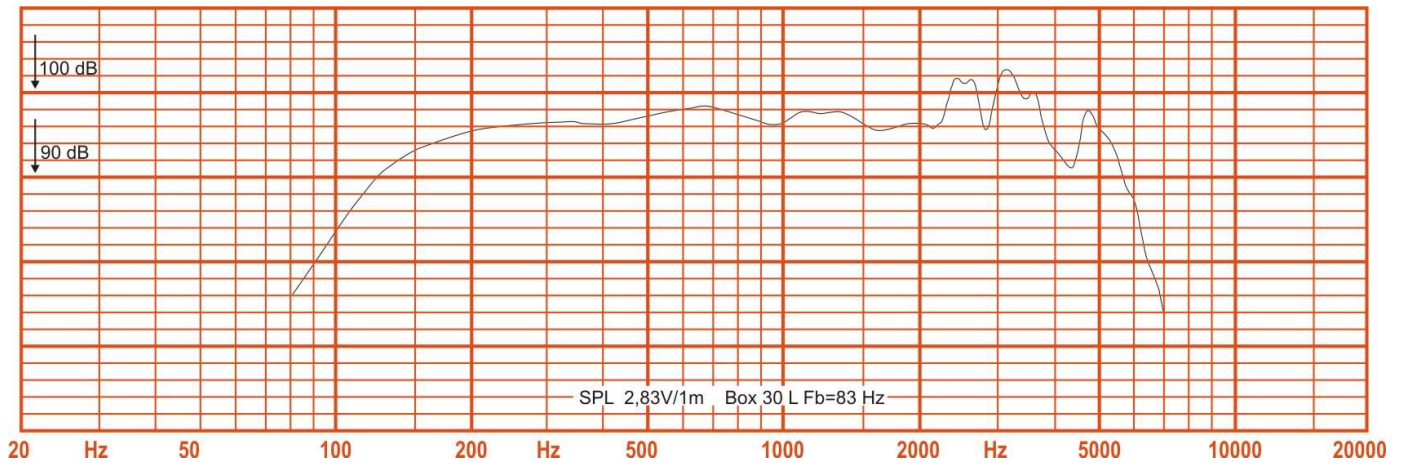
**MOUNTING INFORMATION**

Overall Diameter	263 mm
Baffle Hole Diameter	225 mm
Mounting Holes	8 with dia. 7 mm
Bolt Circle Diameter	244 mm
Overall Depth	116.5 mm
Net Weight	6.2 kg

**RECONE KIT:**

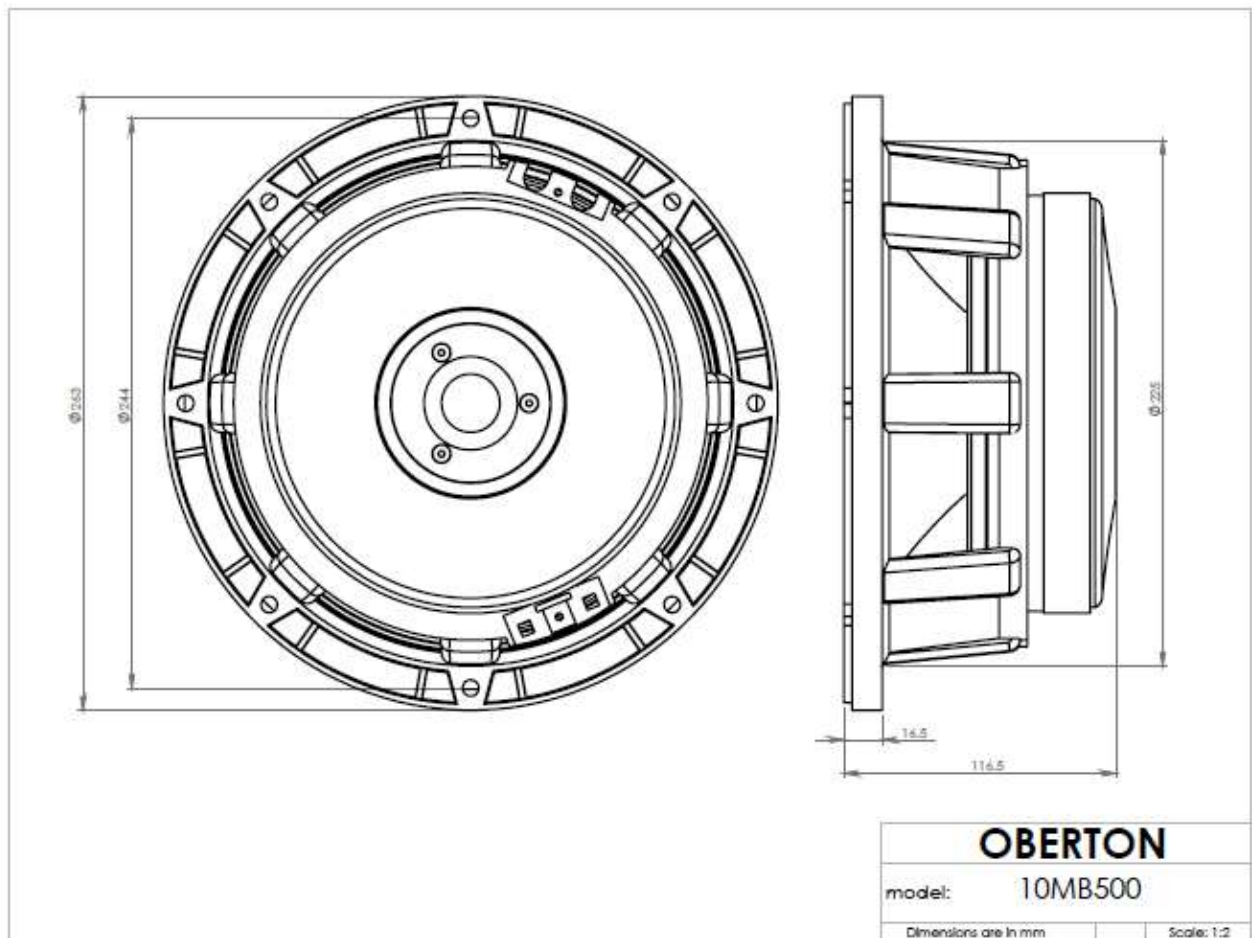
RK10MB500 - Part No: R1110F0108

[Back to Top](#)



Frequency Response

Download **PDF** (/images/stories/pdfi/Assem\_10MB500.PDF)



[Terms and conditions \(/en/terms-and-conditions.html\)](/en/terms-and-conditions.html)

[Privacy Policy \(/en/privacy-policy.html\)](/en/privacy-policy.html)

[Back to Top](#)