



CAT 328-104

Classic Advanced Tweeter,
 Ø 104mm, 8Ω



SPECIFICATIONS

General Data

Overall Dimensions	DxH	104mm(4.09")x46mm(1.81")
Nominal Power Handling (DIN)	P	200W
Transient Power 10ms		1000W
Sensitivity 2.83V/1M		90dB SPL
Frequency Response		See graph
Dome Material		Acuflex™ hand coated soft dome
Net Weight	Kg	0.573

Electrical Data

Nominal Impedance	Z	8Ω
DC Resistance	Re	5.2Ω
Voice Coil Inductance @ 1KHz	LBM	0.09mH

Voice Coil and Magnet Parameters

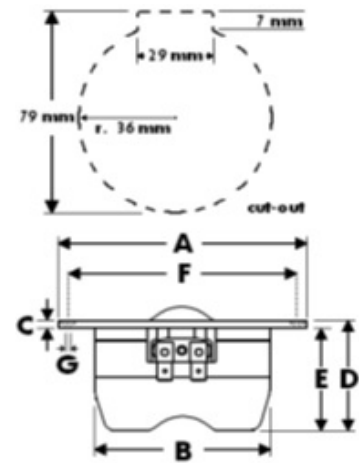
Voice Coil Diameter	DIA	28mm
Voice Coil Height		2.7mm
HE Magnetic Gap Height	HE	2.5mm
Max. Linear Excursion	X	
Voice Coil Former		Aluminum
Voice Coil Wire		Hexatech™ Aluminum
Number Of Layers		2
Magnet System Type		Ferrite vented
B Flux Density	B	1.5 T
BL Product	BXL	3.5 N.A

T-S Parameters

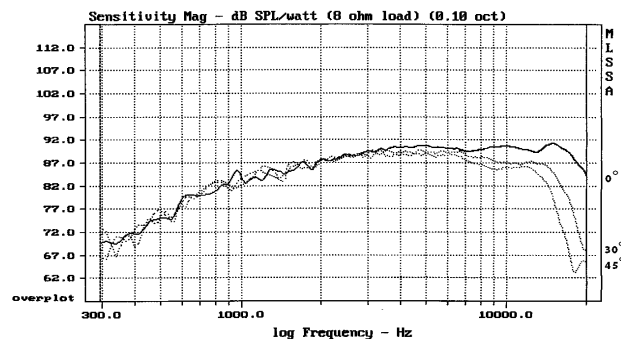
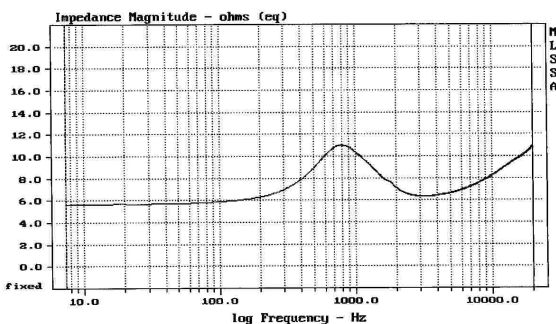
Suspension Compliance	Cms		
Mechanical Q Factor	Qms		
Electrical Q Factor	Qes		
Total Q Factor	Qts		
Mechanical Resistance	Rms		
Moving Mass	Mms	0.44 g	
Eq. Cas Air Load (liters)	VAS		
Resonant Frequency	Fs	650 Hz	
Effective Piston Area	SD	6.0 cm ²	

Features

- * 104mm IDR™ Improved Dispersion Recess
- * Aluminum Face Plate
- * Large Hexatech™ Aluminum voice coil
- * Replaceable Acuflex™ dome / coil assembly
- * Ferro fluid cooled
- * High power handling
- * Sturdy gold plated input tags



A - Overall diameter	104mm
B - Magnet/Chamber diameter	72mm
C - Flange thickness	3mm
D - Overall height	46mm
E - Magnet/Chamber depth	43mm
F - Mounting holes location diameter	94mm
G - 6 Mounting holes, at 60° interval,	
inner hole diameter	Ø 3.7mm
pocket	h 1mm, Ø 7mm



Measured on IEC baffle using Bruel & Kjaer 3144 model microphone.

Morel operate policy of continuous product design improvement, consequently specifications are subject to alteration without prior notice.