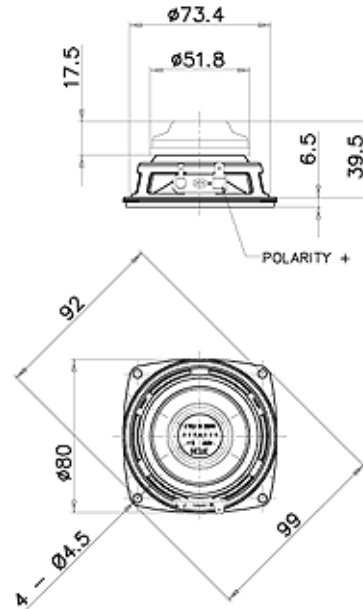




3FE20 Fe Series



NOMINAL SPECIFICATIONS

Nominal Diameter	80 mm (3 in)
Overall Diameter	80 mm (3.15 in)
Bolt Circle Diameter	92 mm (3.62 in)
Baffle Cutout Diameter	72 mm (2.91 in)
Depth	39.5 mm (1.56 in)
Flange and Gasket Thickness	6.5 mm (0.25 in)
Net Weight	0.23 Kg (0.51lb)
Shipping Box (Single Carton Box)	TBA (TBA)
Shipping Weight	TBA (TBA)

ELECTRICAL SPECIFICATION

Minimum Impedance	6.2 Ohm
Nominal Impedance	8 Ohm
Nominal Power Handling *	20 W
Maximum Power Handling **	40 W
Sensitivity (1W/1m)	91 dB
Frequency Range	100÷20000 Hz
Voice Coil Diameter	19 mm (0.75 in)
Winding Material	Cu
Former Material	Kapton
Winding Depth	5 mm (0.2 in)
Magnetic Gap Depth	4 mm (0.16 in)
Flux Density	1.5 T

THIELE & SMALL PARAMETERS

Fs	110 Hz
Re	6.2 Ohm
Bl	4.5 N/A
Mms	2.1 g
Cms	0.97 mm/N
Rms	0.32 Kg/s
Qes	0.43
Qms	4.64
Qts	0.39
Vas	1.2 dm ³ (0.035 ft ³)
Sd	29.4 cm ² (4.56 in ²)
Xmax ***	1.83 mm
Xdamage ****	7.3 mm
Le	0.1 mH
Mmd	2 g
Eta Zero	0.36 %

ORDERING CODES

Faston Terminals - 8 Ohm Version	TBA
----------------------------------	-----

NOTES

(*) 2 Hours Test According to AES 2-1984 Rev. 2003

(**) Maximum power is defined as 3dB greater than nominal power.

(***) Xmax = [(winding depth - magnetic gap depth) / 2] + (magnetic gap depth / 3)

(****) Maximum excursion before permanent damage

CURVES

