

KEY FEATURES

- Superior sound reproduction quality
- Extended frequency response (1 - 23 kHz)
- High sensitivity (101 dB)
- High power handling 240 W program (X-bow®)
- Extremely linear frequency response
- Ultra low distortion
- Designed for High End systems

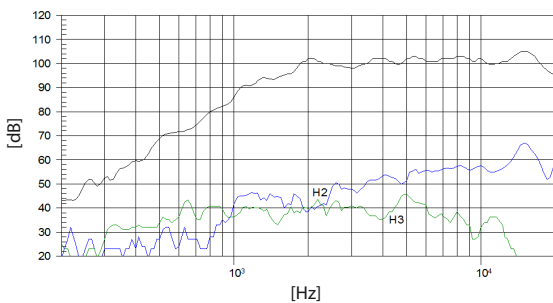
TECHNICAL SPECIFICATIONS

Rated impedance	8 Ω
D.C. resistance	4,9 Ω
Power capacity*	120 W _{AES} above 1 kHz
Program power	240 W above 1 kHz
Sensitivity**	101 dB 1W @ 1m
Frequency range	1 - 23 kHz
Recommended crossover	1 kHz or higher (12 dB/oct min.)

MOUNTING INFORMATION

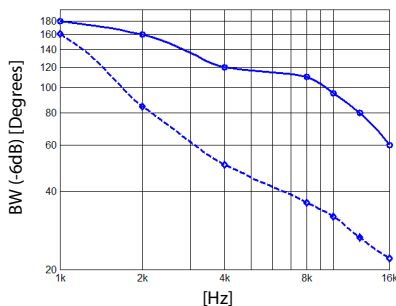
Overall dimensions	160 x 130 x 72 mm 5,12 x 6,30 x 2,83 in
Cutout dimensions	152 x 105 mm 5,98 x 4,13 in
Mounting	Four M5 threaded holes
Net weight	2,75 kg 6,06 lb
Shipping weight	3,05 kg 6,72 lb

FREQUENCY RESPONSE AND DISTORTION



Note: On axis frequency response measured in anechoic chamber, 1W @ 1m

-6 dB BEAMWIDTH



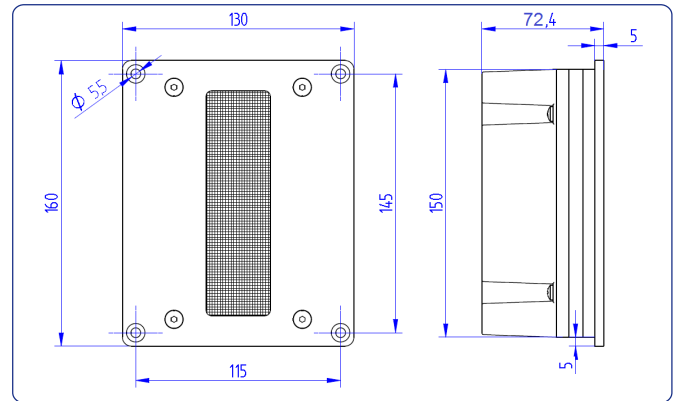
Notes:

* The power capacity is determined according to AES2-1984 (r2003) standard. Program power is defined as the transducer's ability to handle normal music program material.

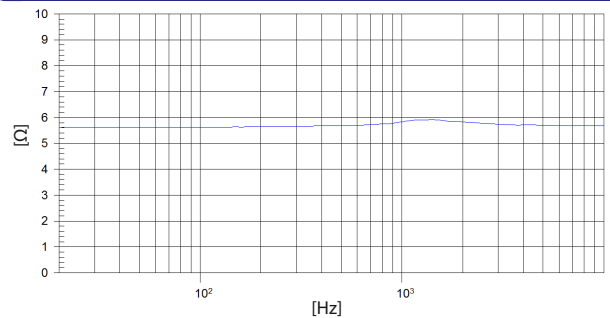
** Sensitivity was measured at 1m distance, on axis, with 1W input, averaged in the range 2 - 20 kHz.



DIMENSION DRAWINGS



FREE AIR IMPEDANCE CURVE



DIRECTIVITY INDEX

