

KEY FEATURES

- 1 in. (25mm) high frequency compression driver
- 111 dB, 2.83V@1m sensitivity
- Improved moving assembly mechanical coupling for excellent power handling capabilities
- PM-4 polymer diaphragm with higher surface tension energy
- Ultra lightweight edgewound aluminium ribbon voice coil
- Aluminum cover
- Neodymium magnet

TECHNICAL SPECIFICATIONS

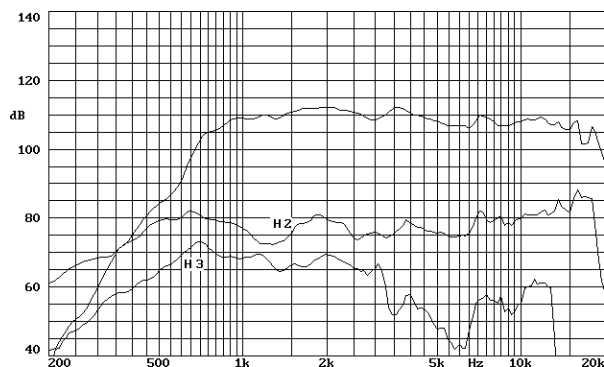
Throat diameter	25 mm. 1 in.
Rated impedance	8 ohms.
D.C. Resistance	4.3 ohms.
Power capacity *	70 w AES above 1.2 kHz
Program power	140 w above 1.2 kHz
Sensitivity **	111 dB 2.83V @ 1m coupled to TD-164 prototype horn
Frequency range	0.7 - 19 kHz
Recommended crossover	1.2 kHz or higher (12 dB/oct. min.)
Voice coil diameter	44.4 mm. 1.75 in.
Magnetic assembly weight	1.1 kg. 2.42 lb.
Flux density	2.2 T
BL factor	8.9 N/A

MOUNTING INFORMATION

Overall diameter	100 mm. 4 in.
Depth	66.4 mm. 2.61 in.
Mounting	Three M5 threaded holes, 120° apart on 57 mm. (2.24 in.) diameter circle. Two M5 threaded holes, 180° apart on 76.2 mm. (3 in.) diameter circle.

Net weight	1.2 kg. 2.64 lb.
Shipping weight	1.3 kg. 2.86 lb.

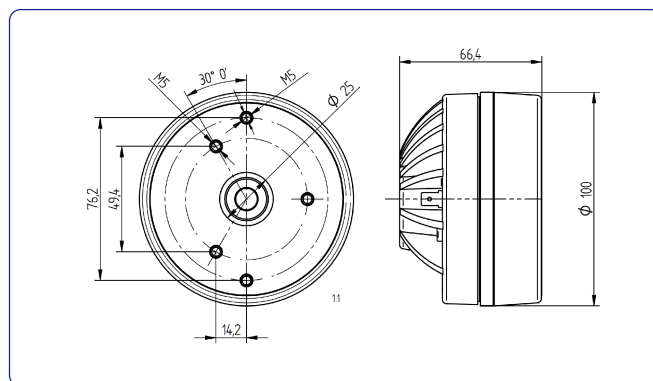
FREQUENCY RESPONSE AND DISTORTION



Note: on axis frequency response measured coupled to TD-164 horn in anechoic chamber, 2.83V @ 1m.



DIMENSION DRAWINGS



Notes:

*The power capacity is determined according to AES2-1984 (r2003) standard.
Program power is defined as the transducer's ability to handle normal music program material.
**Sensitivity was measured at 1 m distance, on axis, with 2.83V input, averaged in the range 1-7 kHz.

FREE AIR IMPEDANCE CURVE

