



## CL190-6-351

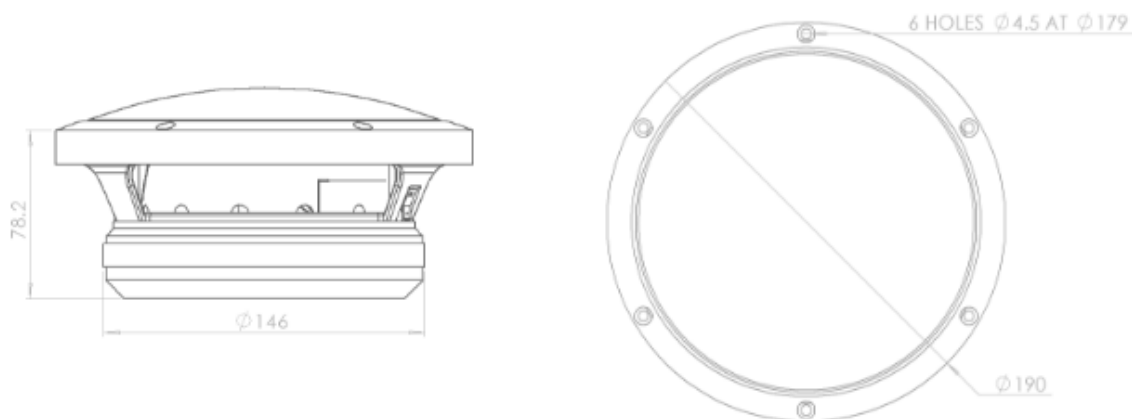
### CRYSTALID BASS-MIDRANGE

The CL190 – 06 – 351 is an 8 inch bass-midrange driver with a **unique new dome material**, being the first in a new accuton driver series.

The **proprietary material** was developed to achieve a lightweight yet extremely stiff dome, perfectly suited for high efficiency bass-midrange drivers with flawless time-response and low moving mass. It is harder than any processable metal on earth, yet lighter than  $Al_2O_3$  ceramic.

The **unique parts alignment** provides an invisible surround, allowing for a smooth radiating surface without any reflecting parts. As the spider is mounted inside the voice coil, it guarantees the high excursion linearity needed for uncompressed sound reproduction.

A **new underhung motor** has been designed with high flux density, delivering excellent low distortion performance.



DOME MATERIAL	CRYSTALID
APPLICATION	BASS-MIDRANGE
NOMINAL DIAMETER	190 MM
SENSITIVITY	90.5 DB
FREQUENCY	40 HZ - 2.500 HZ

## MAIN FEATURES

Proprietary new dome material

Low moving mass

High flux motor design

Higher Efficiency

40 HZ - 2.500 HZ

Note: data for this driver is preliminary.

## MECHANICAL DATA

Specification	Value	Unit
Overall diameter	190	mm
Cutout diameter	170	mm
Min. frontplate thickness	16	mm
Overall depth	78.2	mm
Motor assembly depth	27.5	mm
Motor assembly diameter	146	mm
Screwfitting	DIN 7984 M4	
Terminal	2.8/4.8	mm
Shipping weight (pair)	3.8	Kg
Shipping box size (pair)	320*230*230	mm

## THIELE SMALL PARAMETERS

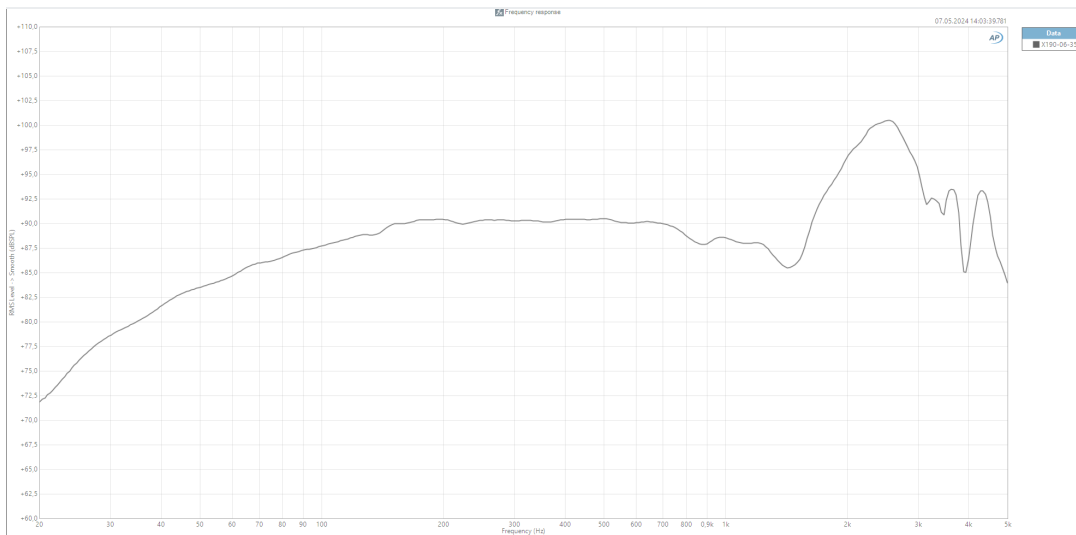
---

Specification		Value	Unit
Sensitivity (2.83V / 1m)	Lp	90.5	dB
DC-resistance	Re	5.4	Ohm
Resonance frequency	Fs	46	Hz
Equivalent volume of air	Vas	25.42	ltr
Mechanical Q	Qms	3.14	
Electrical Q	Qes	0.41	
Total Q	Qts	0.37	
Effective piston area	Sd	206.12	Cm2
Moving mass	Mms	27.6	g
Suspension compliance	CMs	0.42	mm/n
Mechanical resistance	Rms	2.58	Kg*s

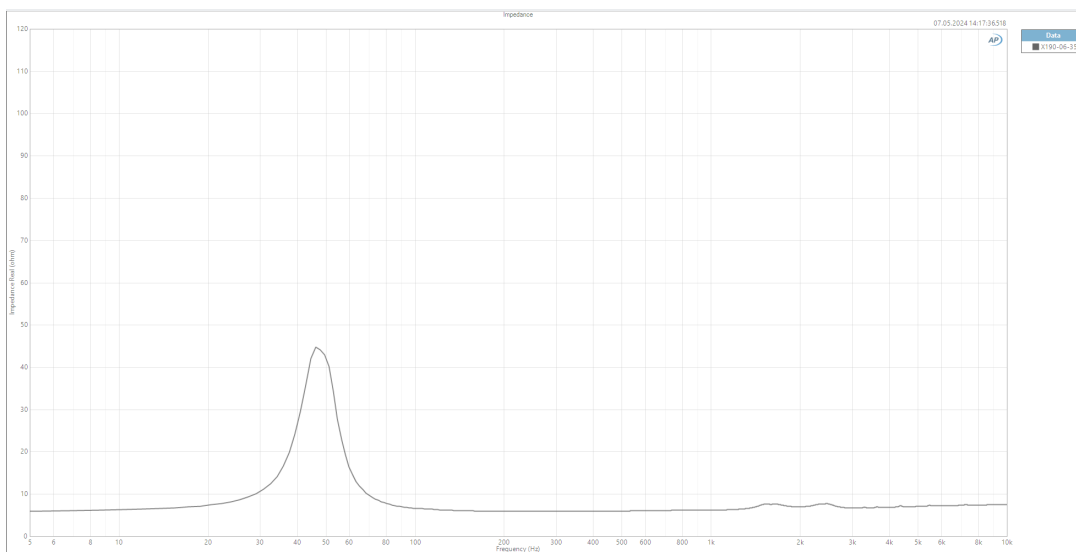
#### VOICE COIL PARAMETERS

Specification		Value	Unit
Power handling	P	120	W
Linear excursion	Xmax	+/-4	mm
Voice coil diameter		114	mm
Voice coil former material		Ti	
Voice coil material		Cu	
Voice coil inductance	Le	0.17	mH
Force factor	Bl	10.27	N/A
Motor type		Underhung	
Ferrofluid filling		No	

## FREQUENCY RESPONSE [DB]



## IMPEDANCE [OHM]



## DISTORTION [%]

