



UW 1258

Ultimate Woofer,
 Ø 12", Ø 5.1" voicecoil, 8Ω



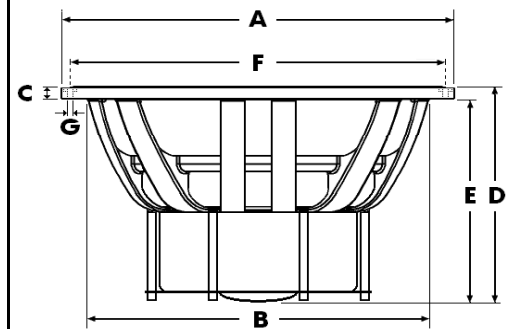
SPECIFICATIONS

General Data		
Overall Dimensions	DxH	305mmx154.3mm(12"x6.07")
Nominal Power Handling (DIN)	P	800W
Transient Power 10ms		3,000W
Sensitivity 2.83V/1M		87 dB SPL
Frequency Response		See graph
Cone Material		Composite cellular fiber
Net Weight	Kg	6.3
Electrical Data		
Nominal Impedance	Z	8Ω
DC Resistance	Re	6.8Ω
Voice Coil Inductance @ 1KHz	LBM	1.33mH
Voice Coil and Magnet Parameters		
Voice Coil Diameter	DIA	130mm (5.1")
Voice Coil Height		37mm (1.45")
HE Magnetic Gap Height	HE	12mm (0.47")
Max. Linear Excursion	X	± 12.5mm (0.49")
Voice Coil Former		Aluminum
Voice Coil Wire		Hexatech™ Aluminum
Number Of Layers		2
Magnet System Type		High flux double ferrite vented
B Flux Density	B	0.64 T
BL Product	BXL	13.67 N.A
T-S Parameters		
Suspension Compliance	Cms	0.44 mm/N
Mechanical Q Factor	Qms	1.88
Electrical Q Factor	Qes	0.56
Total Q Factor	Qts	0.43
Mechanical Resistance	Rms	8.15 Kg/s
Moving Mass	Mms	105.49 g
Eq. Cas Air Load (liters)	VAS	138.38 Lt
Resonant Frequency	Fs	21 Hz
Effective Piston Area	SD	437 cm ²

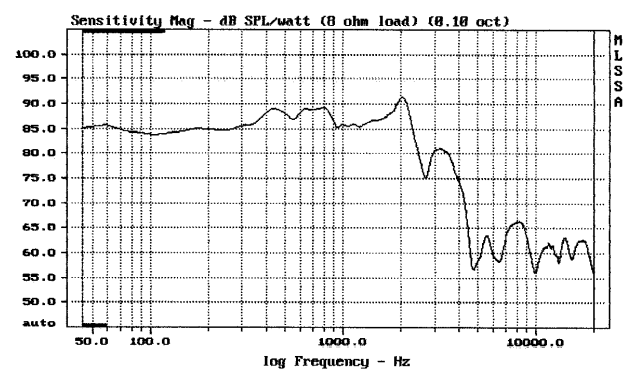
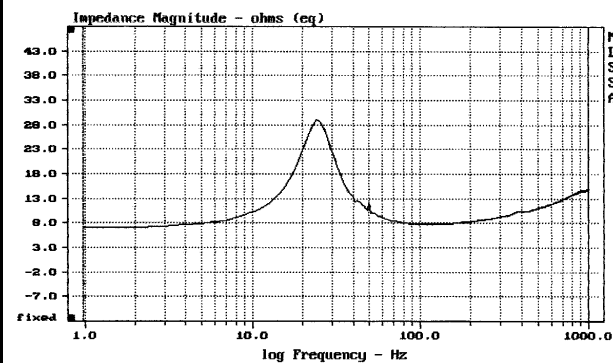
FEATURES

- * Uniflow™ Aluminum diecast chassis
- * High flux double Ferrite magnet system
- * 5.1" Large Hexatech™ Aluminum voice coil
- * One piece paper cone/center dome
- * Accucenter™ self centering cone assembly
- * PFS™ Progression Field Symmetry spider/surround engineering

Unit Dimensions



- A** - Overall diameter 305mm
- B** - Cut out diameter 270mm
- C** - Flange thickness 6.3mm
- D** - Overall height 154.3mm
- E** - Basket/magnet depth 148mm
- F** - Mounting holes location diameter 292mm
- G** - 6 Mounting holes, at 60° interval, inner hole diameter Ø 6mm pocket h 1.5mm, Ø 11mm



Measured on IEC baffle using Bruel & Kjaer 3144 model microphone.

Morel operate policy of continuous product design improvement, consequently specifications are subject to alteration without prior notice.